

DIODE-DIODE MODULE
M4.2Sch, M4.2SchA
40, 80, 120, 160, 200, 240A 2 class
DATASHEET IN BRIEF

The module consisting of two Schottky diodes with general cathode is intended for using composed of high-powered converters.

OVERALL DRAWINGS

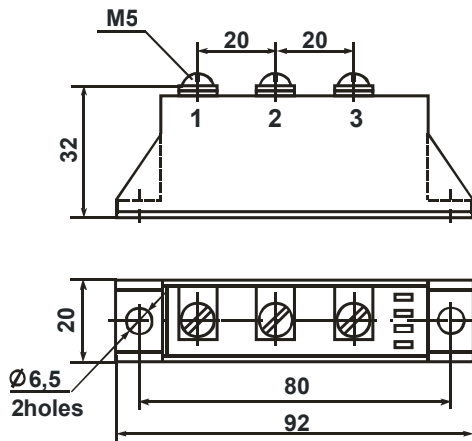


Figure 1 – Drawing of housing E1

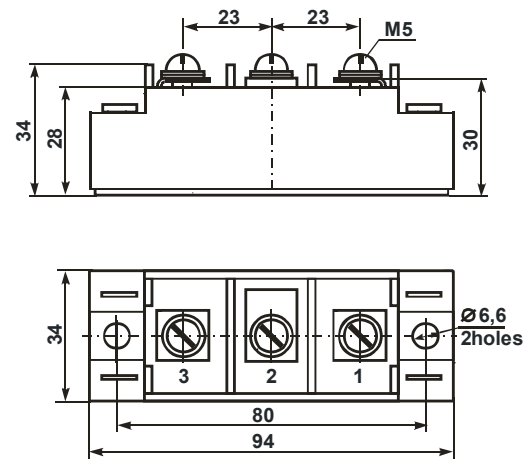


Figure 2 – Drawing of housing E2

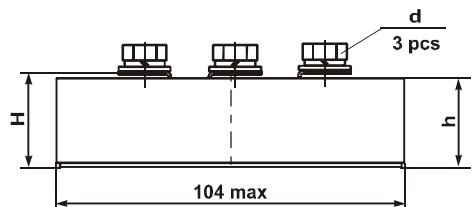


Figure 3 – Drawing of housing DM

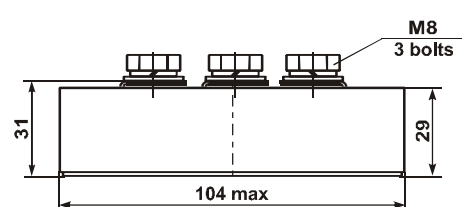


Figure 4 – Drawing of housing DM

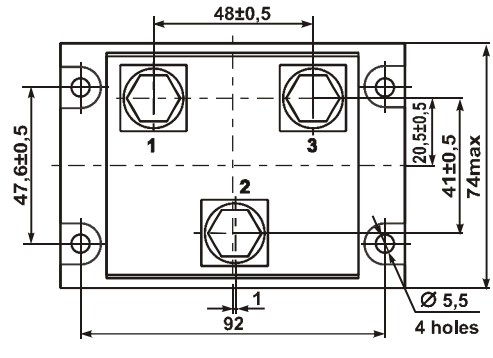
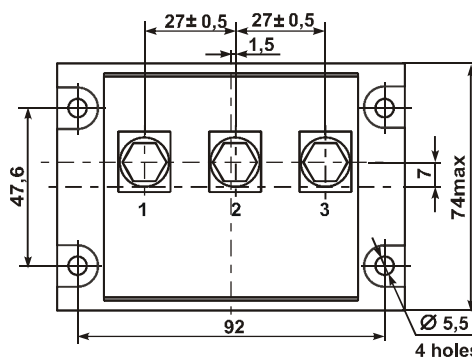


TABLE OF OVERALL DRAWINGS

Module		Figure	d	h, mm	H, mm
M4.2Sch-40-2	M4.2SchA-40-2	1 or 2	-	-	-
M4.2Sch-80-2	M4.2SchA-80-2	1 or 2	-	-	-
M4.2Sch-120-2	M4.2SchA-120-2	2	-	-	-
M4.2Sch-160-2	M4.2SchA-160-2	2 or 3	Screw M6	27	29
M4.2Sch-200-2	M4.2SchA-200-2	3	Bolt M8	29	31
M4.2Sch-240-2	M4.2SchA-240-2	3	Bolt M8	29	31
M4.2Sch-320-2	M4.2SchA-320-2	4	-	-	-

INTERNAL CONNECTION SCHEME

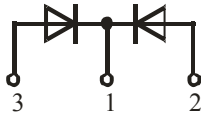


Figure 5 – Connection circuit M4.1Sch

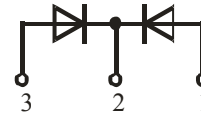


Figure 6 – Connection circuit M4.1SchA

BASIC CHARACTERISTICS

T = 25 °C

Product name	Pulse direct voltage, U_{FM} , V		Repeated pulse reverse current, I_{RRM} , mA		Electric DC isolation strength between radiator and power outputs, U_{ISOL} , V		Reverse recovery time, t_{rr} , ns		Thermal resistance junction-cooler $R_{th(j-c)}$, °C/W
	max	I_{OUT} , A	max	U_{OUT} , V	min	t, minute	max	$I_{F(AV)}$, A	
M4.2Schx-40-2	1	126	1.0	200	4000	1	100	40	0.80
M4.2 Schx -80-2		251						80	0.45
M4.2 Schx -120-2		377						120	0.25
M4.2 Schx -160-2		503						160	0.16
M4.2 Schx -200-2		628						200	0.13
M4.2 Schx -240-2		754						240	0.11
M4.2 Schx -320-2		1005						320	0.08

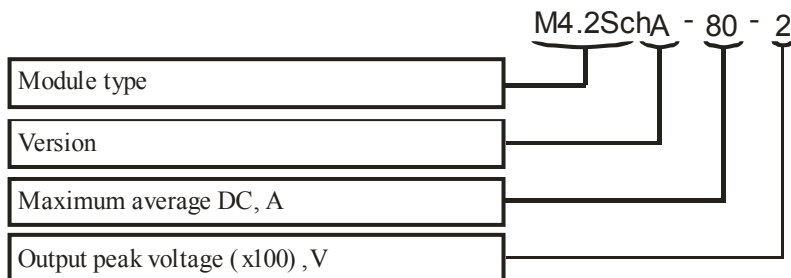
MAXIMUM PERMISSIBLE OPERATING MODES

Product name	Non-repeated pulse reverse voltage U_{RSM} , V	Repeated pulse reverse diode voltage U_{RRM} , V	Average diode DC $I_{F(AV)}$, A	Root-mean-square diode DC I_{FRMS} , A	Pulse diode DC I_{FM} , A	Surge diode DC $I_{F(SM)}$, A		Critical rate of on-state current rise, $(di_F / dt)_{cr}$, A/μs	Junction temperature T_{VJ}^* , °C		
						Q	t, ms		min	min	max
M4.2Schx-40-2	200	200	40	63	80	2	300	10	160	-40	+125
M4.2 Schx -80-2			80	125	160		600				
M4.2 Schx -120-2			120	188	240		900				
M4.2 Schx -160-2			160	251	320		1200				
M4.2 Schx -200-2			200	314	400		1500				
M4.2 Schx -240-2			240	377	480		1800				
M4.2 Schx -320-2			320	502	640		2100				

* Modules are designed for operating in the equipment using coolers that support junction temperature in the prescribed ranges

Precious metals are not contained.

MODULE SYMBOL



Note – Ordering the module you should specify the housing type (E1, E2, DM)