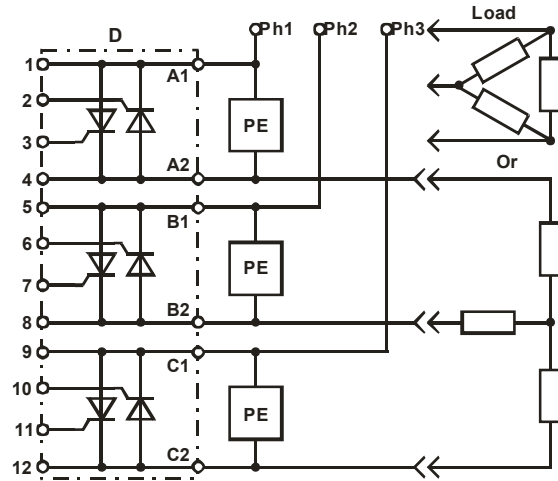
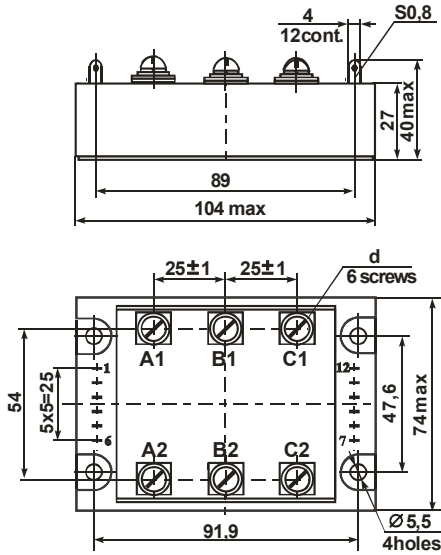


**THYRISTIR-THYRISTOR MODULE  
 M26-25(40, 63, 80, 100, 125)-16  
 DATASHEET IN BRIEF**

A thyristor module of three pairs of back-to-back thyristors with isolated control is intended for switching of power AC loads.

**OVERALL DRAWING AND INTERNAL CONNECTION CIRCUITS**



D – module  
 PE – protection element (available separately)  
 Ph1, Ph2, Ph3 – switching voltage phases

Product description	d	Product description	d
M26-25(40,63,80)-16	Screw M5	M26-100(125)-16	Screw M6

**BASIC CHARACTERISTICS**

$T_a = 25^\circ\text{C}$

Product name	Pulse on-state voltage, $U_{TM}$ , V	Repetitive pulse off-state current, $I_{DRM}$ , mA		Thyristor repetitive pulse reverse current, $I_{RRM}$ , mA		Thyristor gate trigger DC voltage, $U_{GT}$ , V	Thyristor gate trigger DC, $I_{GT}$ , mA	Electric isolation strength at DC between radiator and outputs, $U_{ISOL}$ , V		Thyristor non-trigger DC voltage, $U_{GD}$ , V $T_j = 125^\circ\text{C}$	Thermal junction-radiator resistance $R_{th(j-c)}$ , $^\circ\text{C/W}$
		max	$U_{DRM}$ , V	max	$U_{RRM}$ , V			min	t, minute		
M26-25-16	1.65	$\pi \cdot I_{T(AV)}$ , 10 ms, 50 Hz, sinus	1.0	$\pm 1600$	1.0	$\pm 1600$	3.0	4000	1	0.25	1.00
M26-40-16											0.70
M26-63-16											0.60
M26-80-16											0.45
M26-100-16											0.30
M26-125-16											0.25

**MAXIMUM ALLOWABLE OPERATING MODES**

Product name	Repetitive pulse thyristor voltage: reverse/ in off-state $U_{RRM} / U_{DRM}$ , V	Average on-state current with cooler $I_{T(AV)}$ , A, $T_a = 75^\circ\text{C}$	Surge on-state current, $I_{TSM}$ , A		Critical rate of voltage rise in off-state, $(du_d / dt)_{cr}$ , V/ $\mu\text{s}$	Critical rate of current rise in on-state, $(di_T / dt)_{cr}$ , A/ $\mu\text{s}$	Junction temperature, $T_{vj}^{**}$ , $^\circ\text{C}$		
			max	t, ms			min	max	
M26-25-16	$\pm 1600$	25	200	10	1000	150	-40	+125	
M26-40-16									40
M26-63-16									63
M26-80-16									80
M26-100-16									100
M26-125-16									125

Precious metals are not contained.

5 Naugorskoe shosse, Orel, 302020, Russia Tel. +7(4862) 44-03-44, Fax +7(4862) 47-02-12

E-mail: [mail@electrum-av.com](mailto:mail@electrum-av.com)