

DIODE-DIODE MODULE
M4Sch, M4SchA
40, 80, 120, 160, 200, 240, 320A 1,5 class
DATASHEET IN BRIEF

The diode-diode module on the basis of Schottky diodes are intended for converting of AC into pulsing DC (as a part of single-phase and three-phase diode bridges).

OVERALL DRAWINGS

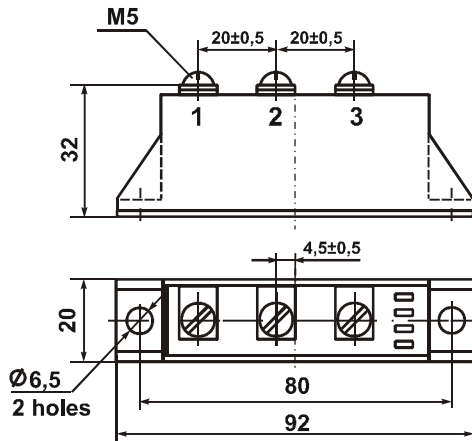


Figure 1 – Drawing of housing E1

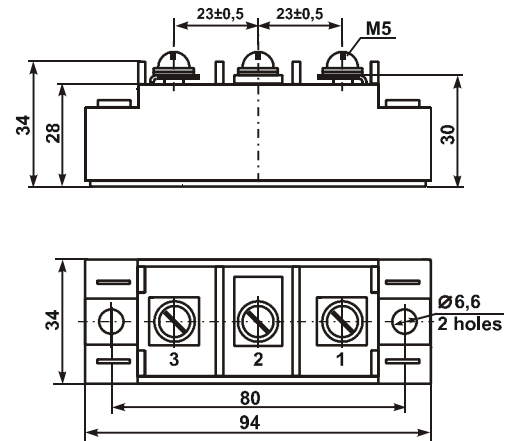


Figure 2 – Drawing of housing E2

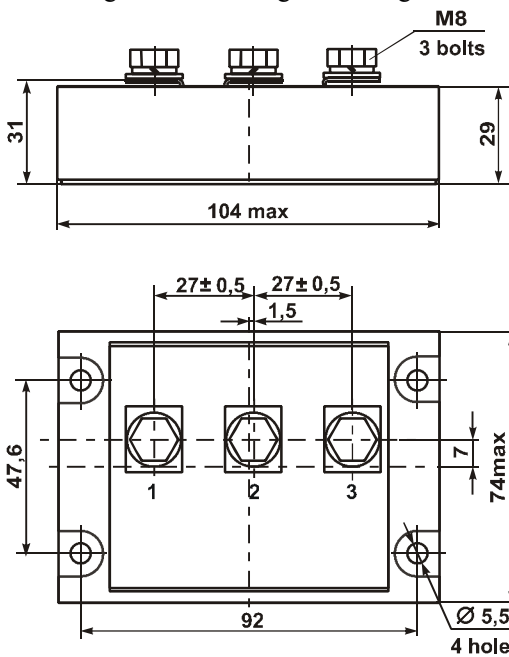


Figure 3 – Drawing of housing DM

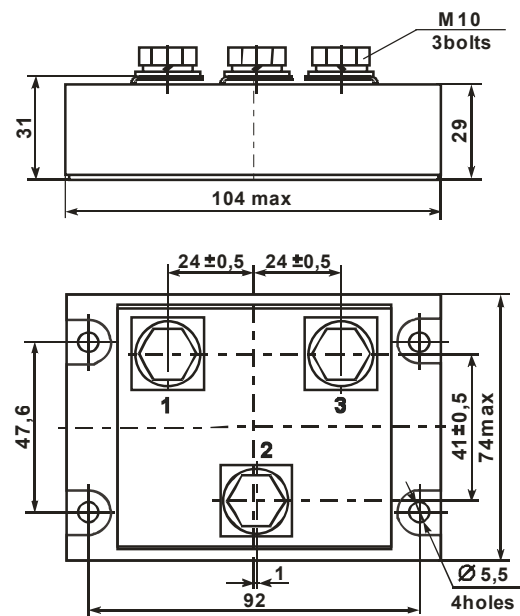


Figure 4 – Drawing of housing DM

TABLE OF OVERALL DRAWINGS

Module	Figure	Module	Figure
M4Sch-40-1,5	1 or 2	M4SchA-40-1,5	2
M4Sch-80-1,5	1 or 2	M4SchA-80-1,5	2
M4Sch-120-1,5	2	M4SchA-120-1,5	2
M4Sch-160-1,5	2	M4SchA-160-1,5	2
M4Sch-200-1,5	3	M4SchA-200-1,5	3
M4Sch-240-1,5	3	M4SchA-240-1,5	3
M4Sch-320-1,5	4	M4SchA-320-1,5	4

INTERNAL CONNECTION SCHEME

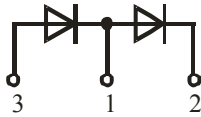


Figure 5 – Connection circuit M4Sch

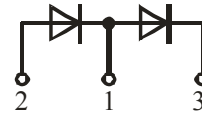


Figure 6 – Connection circuit M4SchA

BASIC CHARACTERISTICS

T = 25 °C

Product name	Pulse direct voltage, U_{FM} , V		Repeated pulse reverse current, I_{RRM} , mA		Electric DC isolation strength between radiator and power outputs, U_{ISOL} , V		Reverse recovery time, t_{rr} , ns		Thermal resistance junction-cooler $R_{th(j-c)}$, °C/W
	max	I_{OUT} , A	max	U_{OUT} , V	min	t, minute	max	$I_{F(AV)}$, A	
M4Schx-40-1,5	1.65	126	1.0	150	4000	1	100	40	0.80
M4Schx-80-1,5		251						80	
M4Schx-120-1,5		377						120	
M4Schx-160-1,5		503						160	
M4Schx-200-1,5		628						200	
M4Schx-240-1,5		754						240	
M4Schx-320-1,5		1005						320	

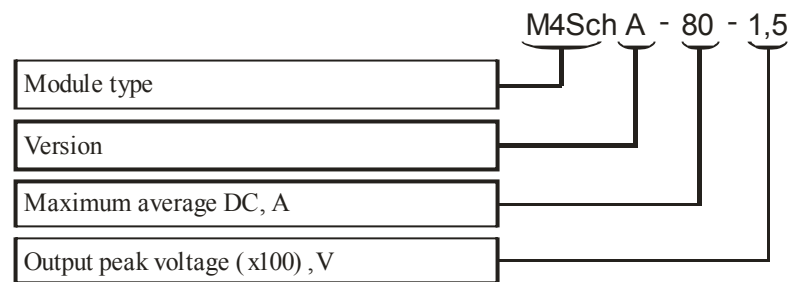
MAXIMUM PERMISSIBLE OPERATING MODES

Product name	Non-repetitive pulse reverse voltage U_{RSM} , V	Repetitive pulse reverse voltage U_{RRM} , V	Average diode DC $I_{F(AV)}$, A	Root-mean-square diode DC I_{FRMS} , A	Pulse diode DC I_{FM} , A	Surge diode DC, $I_{F(SM)}$, A		Critical rate of on-state current rise, $(di_F / dt)_{cr}$, A/μs	Junction temperature T_{VJ}^* , °C	
						Q	t, ms		min	min
M4Schx-40-1,5	150	150	40	63	80	2	10	160	-40	+125
M4Schx-80-1,5			80	125	160					
M4Schx-120-1,5			120	188	240					
M4Schx-160-1,5			160	251	320					
M4Schx-200-1,5			200	314	400					
M4Schx-240-1,5			240	377	480					
M4Schx-320-1,5			320	502	640					

* Modules are designed for operating in the equipment using coolers that support junction temperature in the prescribed ranges

Precious metals are not contained.

MODULE SYMBOL



Note – Ordering the module you should specify the housing type (E1, E2, DM)

5 Naugorskoe shosse, Orel, 302020, Russia Tel. +7(4862) 44-03-44, Fax +7(4862) 47-02-12

E-mail: mail@electrum-av.com