

DIODE-DIODE MODULES M4.3Sch, M4.3SchA 40, 80, 120, 160, 200, 240, 320 A 1,5 class DATASHEET IN BRIEF

The module consisting of two Schottky diodes with general anode is intended for using composed of high-powered converters.

OVERALL DRAWINGS

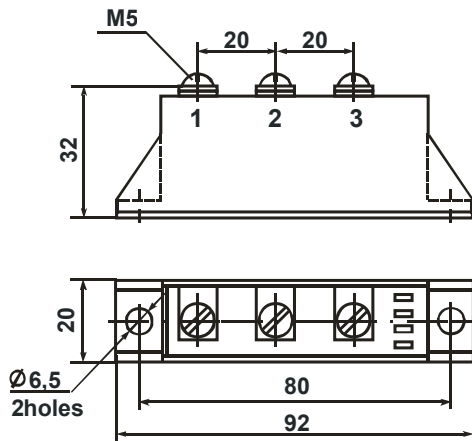


Figure 1 – Drawing of housing E1

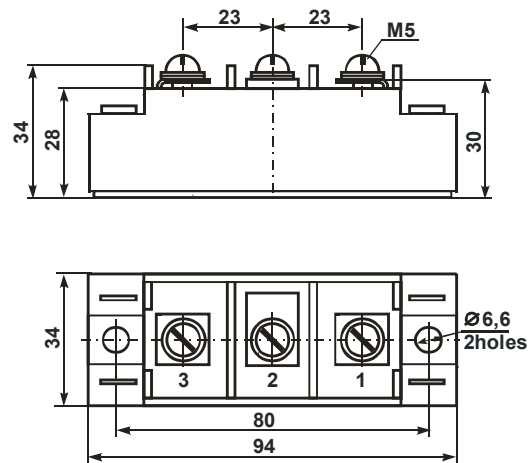


Figure 2 – Drawing of housing E2

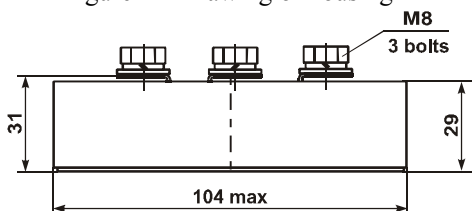


Figure 3 – Drawing of housing DM

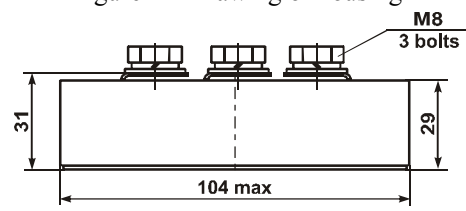


Figure 4 – Drawing of housing DM

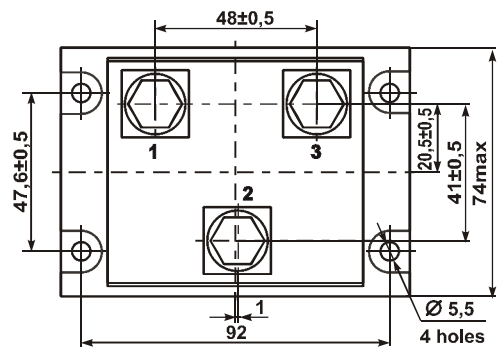
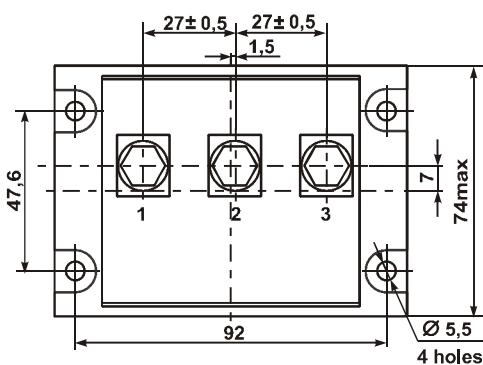


TABLE OF OVERALL DRAWINGS

Module		Figure
M4.3Sch-40-1,5	M4.3 Sch A-40-1,5	1 or 2
M4.3 Sch -80-1,5	M4.3 Sch A-80-1,5	1 or 2
M4.3 Sch -120-1,5	M4.3 Sch A-120-1,5	2
M4.3 Sch -160-1,5	M4.3 Sch A-160-1,5	2
M4.3 Sch -200-1,5	M4.3 Sch A-200-1,5	3
M4.3 Sch -240-1,5	M4.3 Sch A-240-1,5	3
M4.3 Sch -320-1,5	M4.3 Sch A-320-1,5	4

INTERNAL CONNECTION SCHEME

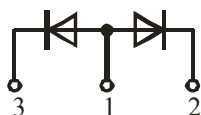


Figure 5 – Connection circuit M4.3Sch

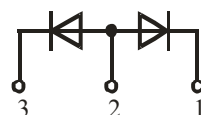


Figure 6 – Connection circuit M4.3SchA

BASIC CHARACTERISTICS

T = 25 °C

Product name	Pulse direct voltage, U_{FM} , V		Repeated pulse reverse current, I_{RRM} , mA		Electric DC isolation strength between radiator and power outputs, U_{ISOL} , V		Reverse recovery time, t_{rr} , ns		Thermal resistance junction-cooler $R_{th(j-c)}$, °C/W
	max	I_{OUT} , A	max	U_{OUT} , V	min	t, minute	max	$I_{F(AV)}$, A	
M4.3Schx-40-1,5	1.65	126	1.0	150	4000	1	100	40	0.80
M4.3Schx-80-1,5		251						80	0.50
M4.3Schx-120-1,5		377						120	0.30
M4.3Schx-160-1,5		503						160	0.25
M4.3Schx-200-1,5		628						200	0.22
M4.3Schx-240-1,5		754						240	0.16
M4.3Schx-320-1,5		1005						320	0.12

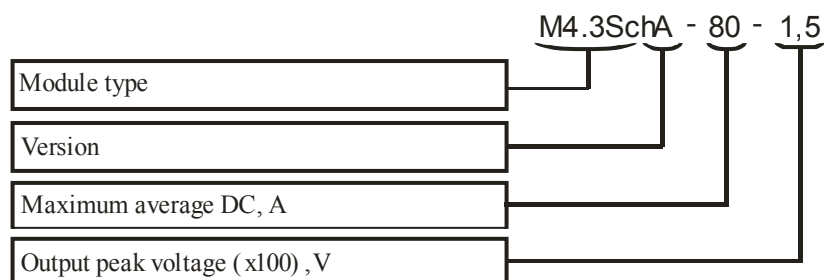
MAXIMUM PERMISSIBLE OPERATING MODES

Product name	Non-repeated pulse reverse voltage U_{RSM} , V	Repeated pulse reverse diode voltage U_{RRM} , V	Average diode DC $I_{F(AV)}$, A	Root-mean-square diode DC I_{FRMS} , A	Pulse diode DC I_{FM} , A	Surge diode DC $I_{F(SM)}$, A		Critical rate of on-state current rise, $(di_F / dt)_{cr}$, A/ μ s	Junction temperature T_{vj}^* , °C	
						max	t, ms		min	min
M4.3Schx-40-1,5	150	150	40	63	80	2	10	160	-40	+125
M4.3Schx-80-1,5			80	125	160					
M4.3Schx-120-1,5			120	188	240					
M4.3Schx-160-1,5			160	251	320					
M4.3Schx-200-1,5			200	314	400					
M4.3Schx-240-1,5			240	377	480					
M4.3Schx-320-1,5			320	502	640					

* Modules are designed for operating in the equipment using coolers that support junction temperature in the prescribed ranges

Precious metals are not contained.

MODULE SYMBOL



Note – Ordering the module you should specify the housing type (E1, E2, DM)