

DIODE-DIODE MODULE M4.2Sch, M4.2SchA 40, 80, 120, 160, 200, 240, 320A 0,6 class DATASHEET IN BRIEF

The module consisting of two Schottky diodes with general cathode is intended for using composed of high-powered converters.

OVERALL DRAWINGS

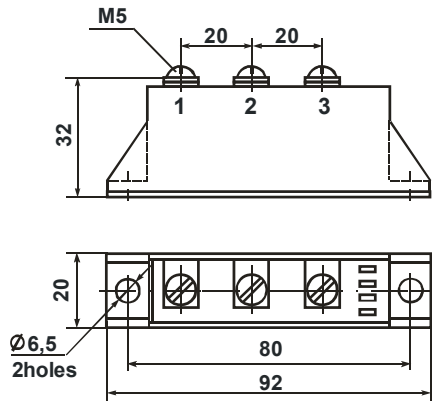


Figure 1 – Drawing of housing E1

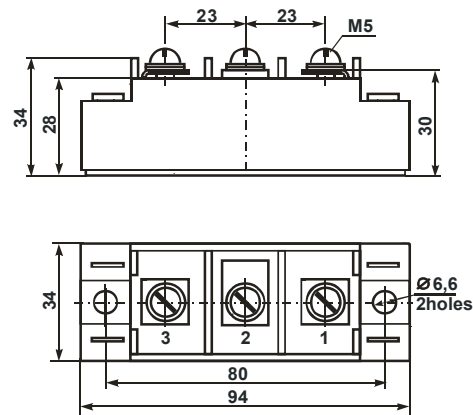


Figure 2 – Drawing of housing E2

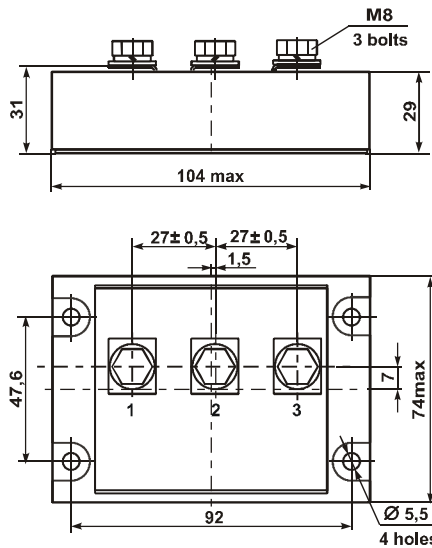


Figure 3 – Drawing of housing DM

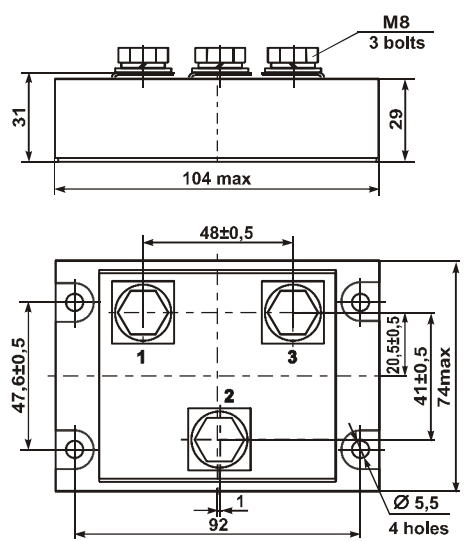


Figure 4 – Drawing of housing DM

TABLE OF OVERALL DRAWINGS

Module		Figure
M4.2 Sch-40-0,6	M4.2SchA-40-0,6	1 or 2
M4.2 Sch -80-0,6	M4.2SchA-80-0,6	1 or 2
M4.2 Sch -120-0,6	M4.2 Sch A-120-0,6	2
M4.2 Sch -160-0,6	M4.2 Sch A-160-0,6	2
M4.2 Sch -200-0,6	M4.2 Sch A-200-0,6	3
M4.2 Sch -240-0,6	M4.2 Sch A-240-0,6	3
M4.2 Sch -320-0,6	M4.2 Sch A-320-0,6	4

INTERNAL CONNECTION SCHEME

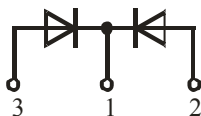


Figure 5 – Connection circuit M4.2Sch

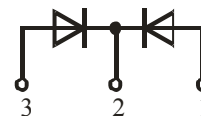


Figure 6 – Connection circuit M4.2SchA

BASIC CHARACTERISTICS

T = 25 °C

Product name	Pulse direct voltage, U_{FM} , V		Repeated pulse reverse current, I_{RRM} , mA		Electric DC isolation strength between radiator and power outputs, U_{ISOL} , V		Reverse recovery time, trr, ns		Thermal resistance junction-cooler $R_{th(j-c)}$, °C/W	
	max	I_{OUT} , A	max	U_{OUT} , V	min	t, minute	max	$I_{F(AV)}$, A	max	
M4.2Sch(A)-40-0,6	1.65	126	1.0	60	4000	1	100	40	0.8	
M4.2Sch(A)-80-0,6		251						80	0.5	
M4.2Sch(A)-120-0,6		377						120	0.3	
M4.2Sch(A)-160-0,6		503						160	0.25	
M4.2Sch(A)-200-0,6		628						200	0.22	
M4.2Sch(A)-240-0,6		754						240	0.16	
M4.2Sch(A)-320-0,6		1005						320	0.12	

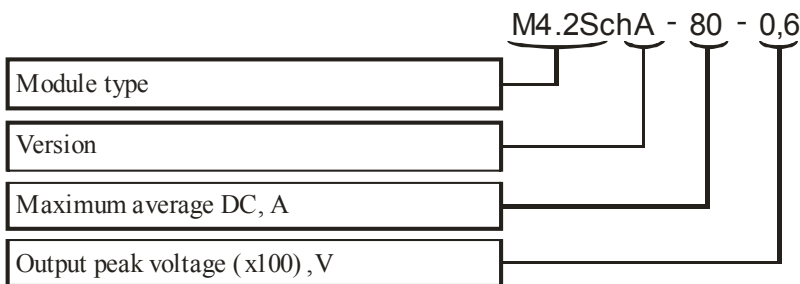
MAXIMUM PERMISSIBLE OPERATING MODES

Product name	Non-repeated pulse reverse voltage U_{RSM} , V	Repeated pulse reverse diode voltage U_{RRM} , V	Average diode DC $I_{F(AV)}$, A	Root-mean-square diode DC I_{FRMS} , A	Pulse diode DC I_{FM} , A		Surge diode DC $I_{F(SM)}$, A		Critical rate of open state current rise, (di_F / dt) cr, A/μs	Junction temperature T_{VJ}^* , °C	
					Q	t, ms	min	max		min	max
M4.2Sch(A)-40-0,6	60	60	40	63	80	2	300	10	160	-40	+125
M4.2Sch(A)-80-0,6			80	125	160		600				
M4.2Sch(A)-120-0,6			120	188	240		900				
M4.2Sch(A)-160-0,6			160	251	320		1200				
M4.2Sch(A)-200-0,6			200	314	400		1500				
M4.2Sch(A)-240-0,6			240	377	480		1800				
M4.2Sch(A)-320-0,6			320	502	640		2100				

* Modules are designed for operating in the equipment using coolers that support junction temperature in the prescribed ranges

Precious metals are not contained.

MODULE SYMBOL



Note – Ordering the module you should specify the housing type (E1, E2, DM)

5 Naugorskoe shosse, Orel, 302020, Russia Tel. +7(4862) 44-03-44, Fax +7(4862) 47-02-12, E-mail: mail@electrum-av.com