

SINGLE-PHASE OPTOTHYRISTOR BRIDGE MODULE MO20-100-16; MO20-160-16; MO20-200-16; MO20-250-16 MO20A-100-16; MO20A-160-16; MO20A-200-16; MO20A-250-16

TICKET

Single-phase thyristor-diode bridge module with opto decoupling with thyristors control connected to “positive” output is intended for rectifying conversion of AC into pulsating DC voltage).

OVERALL DRAWING AND ELECTRIC CIRCUIT

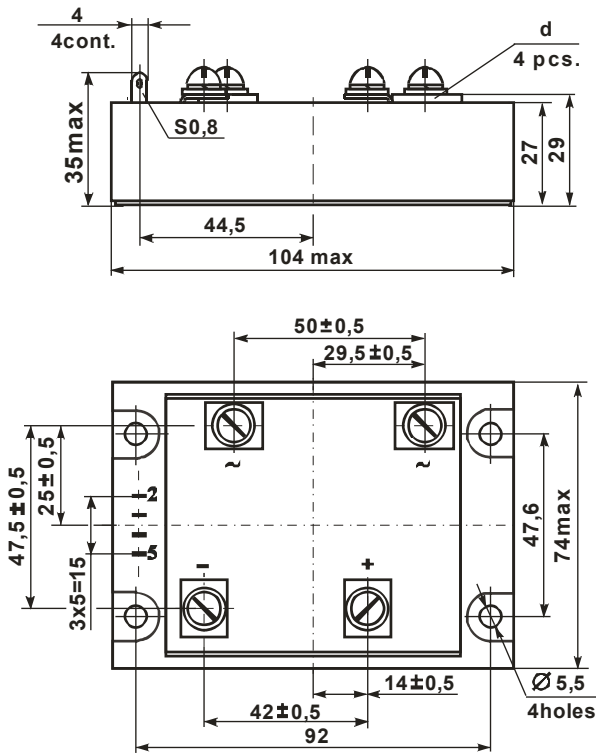


Figure1

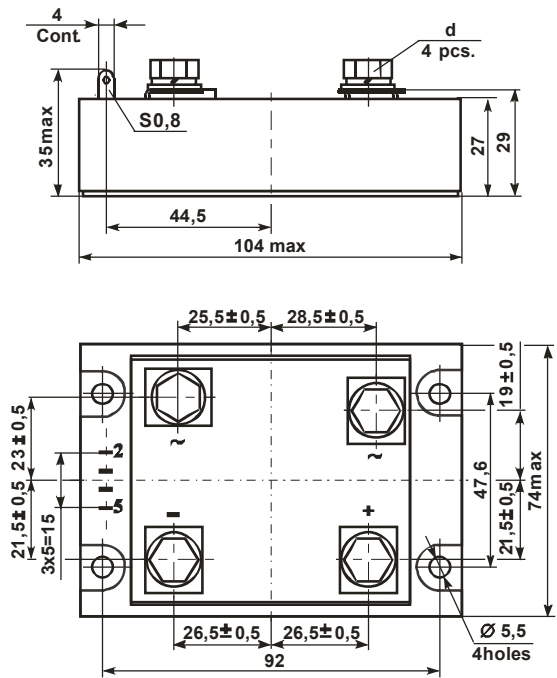
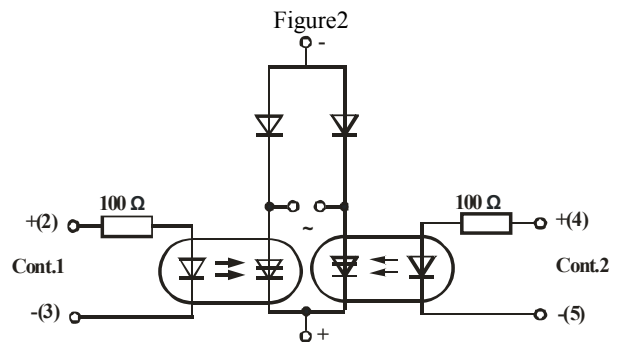


Figure2

Product description	Figure	d
MO20-100-16, MO20A-100-16	1	screw M5
MO20-160-16, MO20A-160-16	1	screw M6
MO20-160-16, MO20A-200-16	2	bolt M8
MO20-160-16, MO20A-250-16	2	bolt M8



BASIC CHARACTERISTICS

T = 25 °C

Product name	Peak voltage in thyristor on-state / direct diode peak voltage, U_{TM} / U_{FM} , V		Bridge port current (closed state), I_D , mA		Open state voltage on control input U_{Gon} , V			Electric isolation at DC, U_{ISOL} , V	Isolation resistance between: power outputs and controlling outputs/ power outputs and radiator, R_{ISOL} , M Ω	Thermal resistance transition-housing radiator R_{thic} , °C/W	
	max	I_{OUT} , A	max	U_{OUT} , V	min	max	I_{Gon} , mA			thyristor max	diode max
MO20-100-16	1.65	100	± 1.5	± 1600	3.0	4.2	10	4000	100 / 10	0.50	0.60
MO20-160-16		160								0.35	0.40
MO20-200-16		200								0.20	0.18
MO20-250-16		250								0.15	0.13

Note- Characteristics value of MO20A modules are identical to the characteristics values of corresponding MO20 modules

MAXIMUM ALLOWABLE OPERATING MODES

Product name	Linear voltage (rms), U_{lin} , V		Average rectified module current, I_o , A		Non-repetitive surge DC $I_{F(SM)}$ $I_{T(SM)}$, A		Control current I_G , mA		Critical rate of rise		Junction temperature, T_{vj}^* , °C	
									open state current, $(di_T / dt)_{cr}$, A/ μ s	closed state voltage, $(du_d / dt)_{cr}$, V/ μ s		
	min	max	min	max	max	t, ms	min	max			min	max
MO20-100-16	50*	1150	0.2	100	600	10	10	30	150	1000	-40	+125
MO20-160-16				160	1200							
MO20-200-16				200	1400							
MO20-250-16				250	1600							

**12 V– for modules of type MO20A (the value of other modes of modules MO20A are identical to the mode values of corresponding modules MO20)

** the modules are designed for operating in the equipment with using of coolers supporting transition temperature in prescribed ranges

Precious metals are not contained

5 Naugorskoe highway, Orel, 302020, Russia
 Tel. +7(4862) 44-03-44, Fax +7(4862) 47-02-12, E-mail: mail@electrum-av.com