

**DIODE-DIODE MODULES**
**M4.3; M4.3A**
**25A, 40A, 63A, 80A, 100A, 125A, 160A, 200A, 250A; 12 class**
**DATASHEET IN BRIEF**

A module of two diodes with common anode is intended for using it as a part of power converters.

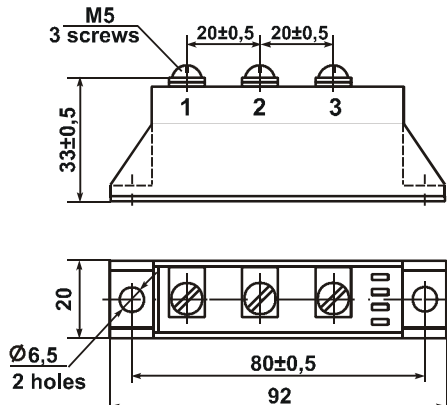
**OVERALL DRAWINGS**


Figure 1 – Overall drawing of package E1

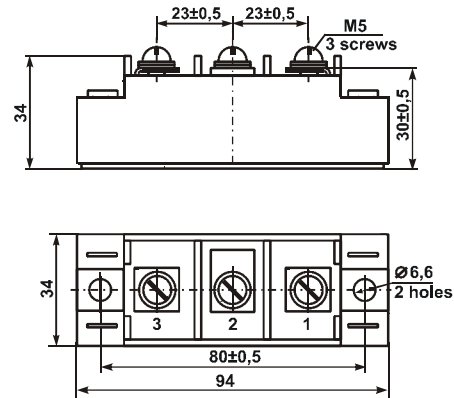


Figure 2– Overall drawing of package E2

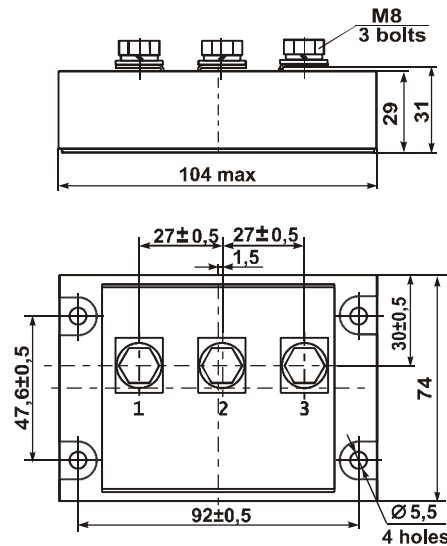


Figure 3 – Overall drawing of housing DM

**TABLE OF OVERALL DRAWINGS**

Module name	Figure	Module name	Figure
M4-25-12	1 or 2	M4A-25-12	1 or 2
M4-40-12	1 or 2	M4A-40-12	1 or 2
M4-63-12	1 or 2	M4A-63-12	1 or 2
M4-80-12	1 or 2	M4A-80-12	1 or 2
M4-100-12	2	M4A-100-12	2
M4-125-12	2	M4A-125-12	2
M4-160-12	2	M4A-160-12	2
M4-200-12	3	M4A-200-12	3
M4-250-12	3	M4A-250-12	3

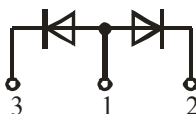
**INTERNAL CONNECTION CIRCUITS**


Figure 4 – Modules connection circuit of type M4.3

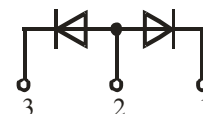


Figure 5 – Modules connection circuit of type M4.3A

## BASIC CHARACTERISTICS

T = 25 °C

Product name	Pulse direct voltage, $U_{FM}, V$		Repetitive pulse reverse current, $I_{RRM}, mA$		Electric isolation strength at DC between radiator and power outputs, $U_{ISOL}, V$		Thermal junction-cooler resistance, $R_{th(j-c)},$ (°C/W)	
	max	$I_O, A$ amplit. value	max	$U_r,$ V	min	t, minute	max	
M4.3(A)-25-12	1.65	$\pi \cdot I_{F(AV)},$ 10 ms, 50 Hz, sinus	1.0	1200	4000	1	0.8	
M4.3(A)-40-12							0.7	
M4.3(A)-63-12							0.55	
M4.3(A)-80-12							0.45	
M4.3(A)-100-12							0.3	
M4.3(A)-125-12							0.25	
M4.3(A)-160-12							0.22	
M4.3(A)-200-12							0.19	
M4.3(A)-250-12							0.15	

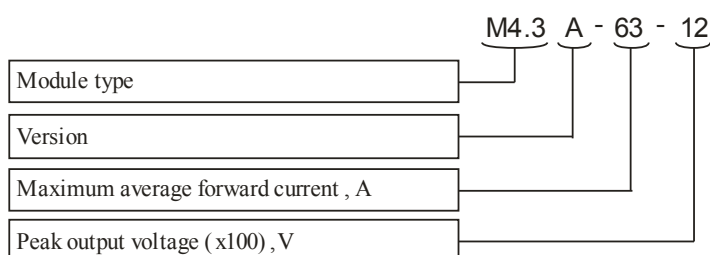
## MAXIMUM ALLOWABLE OPERATING MODES

Product name	Non-repetitive pulse reverse voltage $U_{RSM}, V$	Diode repeti- tive pulse re- verse voltage/ in off-state, $U_{RRM}, V$	Diode average DC $I_{F(AV)},$ A	Diode root- mean-square DC $I_{FRMS},$ A	Diode surge DC $I_{F(SM)},$ A,		Critical rate of rise of on-state current, ( $di_T / dt$ ) cr, A/ $\mu s$	Junction temperature, $T_{VJ}^{**},$ °C	
					t, ms	max		min	max
M4.3(A)-25-12	1300	1200	25	39	200	10	150	- 40	+125
M4.3(A)-40-12			40	63	560				
M4.3(A)-63-12			63	95	720				
M4.3(A)-80-12			80	125	960				
M4.3(A)-100-12			100	155	1350				
M4.3(A)-125-12			125	188	2500				
M4.3(A)-160-12			160	250	4000				
M4.3(A)-200-12			200	310	5000				
M4.3(A)-250-12			250	390	6000				

\* the modules are designed to operate in equipment with using of coolers that support transition temperature in the prescribed ranges

Precious metals are not contained

## MODULE DESCRIPTION



Note – when ordering the module you must specify the housing type (E1, E2, DM)

5 Naugorskoe shosse, Orel, 302020, Russia Tel. +7(4862) 44-03-44, Fax +7(4862) 47-02-12

E-mail: [mail@electrum-av.com](mailto:mail@electrum-av.com)