

Housings types

«Electrum AV»

			
Fig.1	Fig.2	Fig.3	Fig.4
			
Fig.5	Fig.6	Fig.7	Fig.8
			
Fig.9	Fig.10	Fig.11	Fig.12
			
Fig.13	Fig.14	Fig.15	Fig.16
			
Fig.17	Fig.18	Fig.19	Fig.20
			
Fig.21	Fig.22	Fig.23	Fig.24

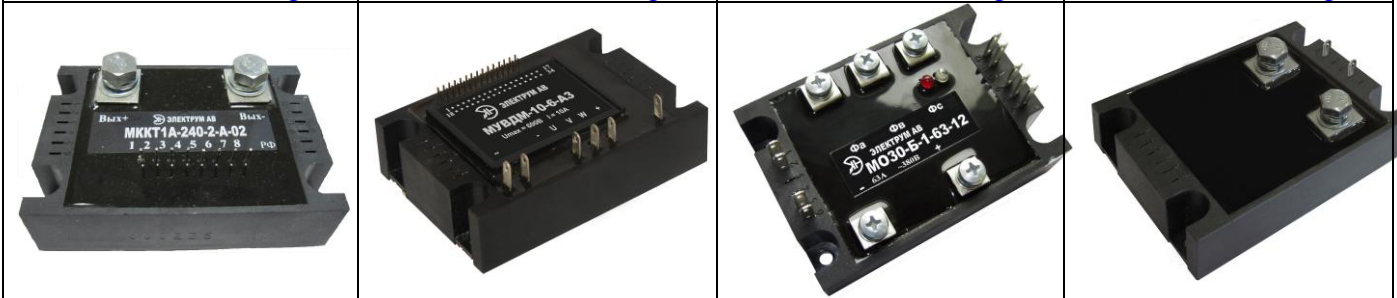


[Fig.25](#)

[Fig.26](#)

[Fig.27](#)

[Fig.28](#)

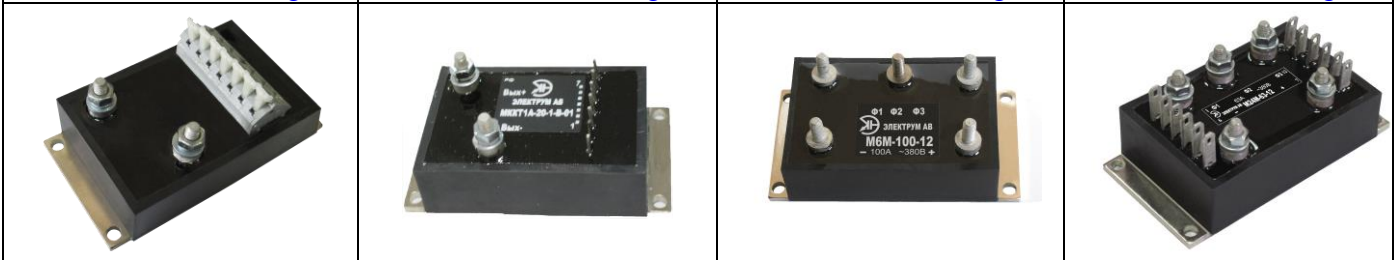


[Fig.29](#)

[Fig.30](#)

[Fig.31](#)

[Fig.32](#)



[Fig.33](#)

[Fig.34](#)

[Fig.35](#)

[Fig.36](#)

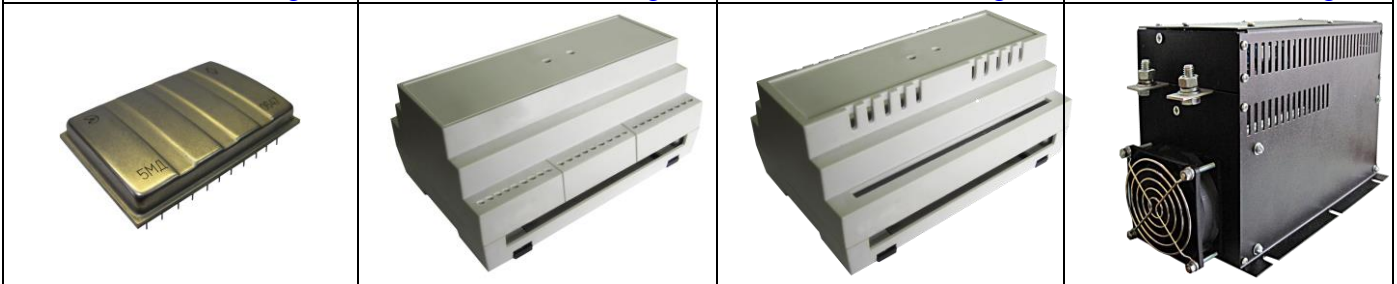


[Fig.37](#)

[Fig.38](#)

[Fig.39](#)

[Fig.40](#)

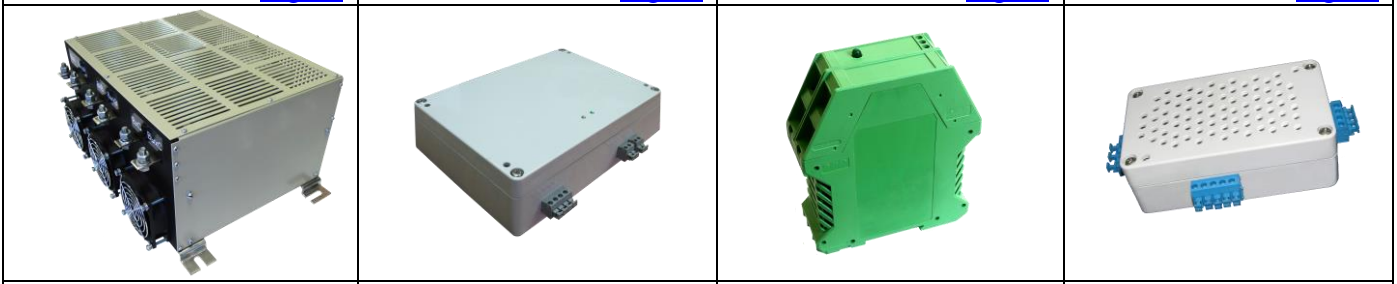


[Fig.41](#)

[Fig.42](#)

[Fig.43](#)

[Fig.44](#)




[Fig.45](#)

[Fig.46](#)

[Fig.47](#)

[Fig.48](#)

			
<p>Fig.49</p>			

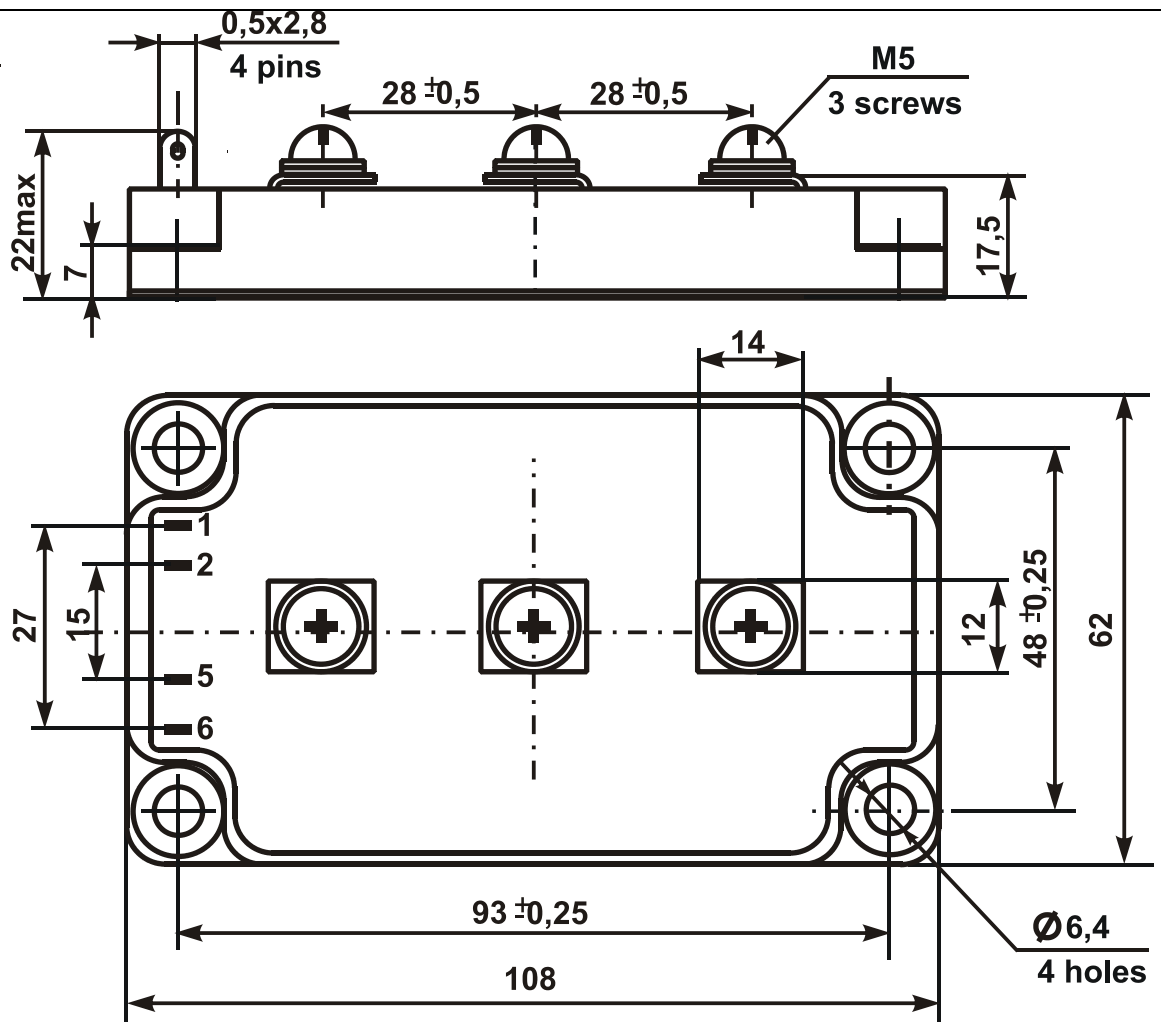


Fig.1 (Housing M1)

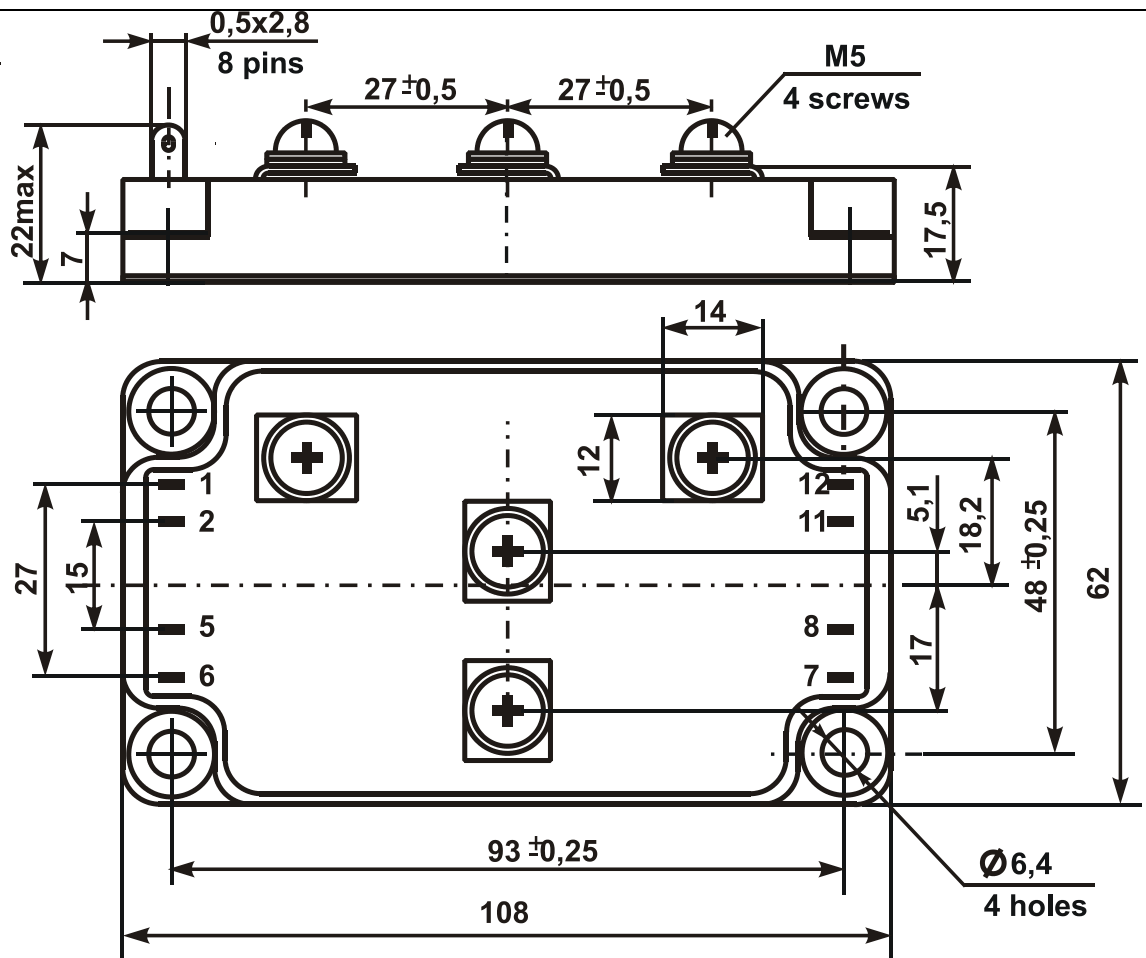


Fig.3 (Housing M1)

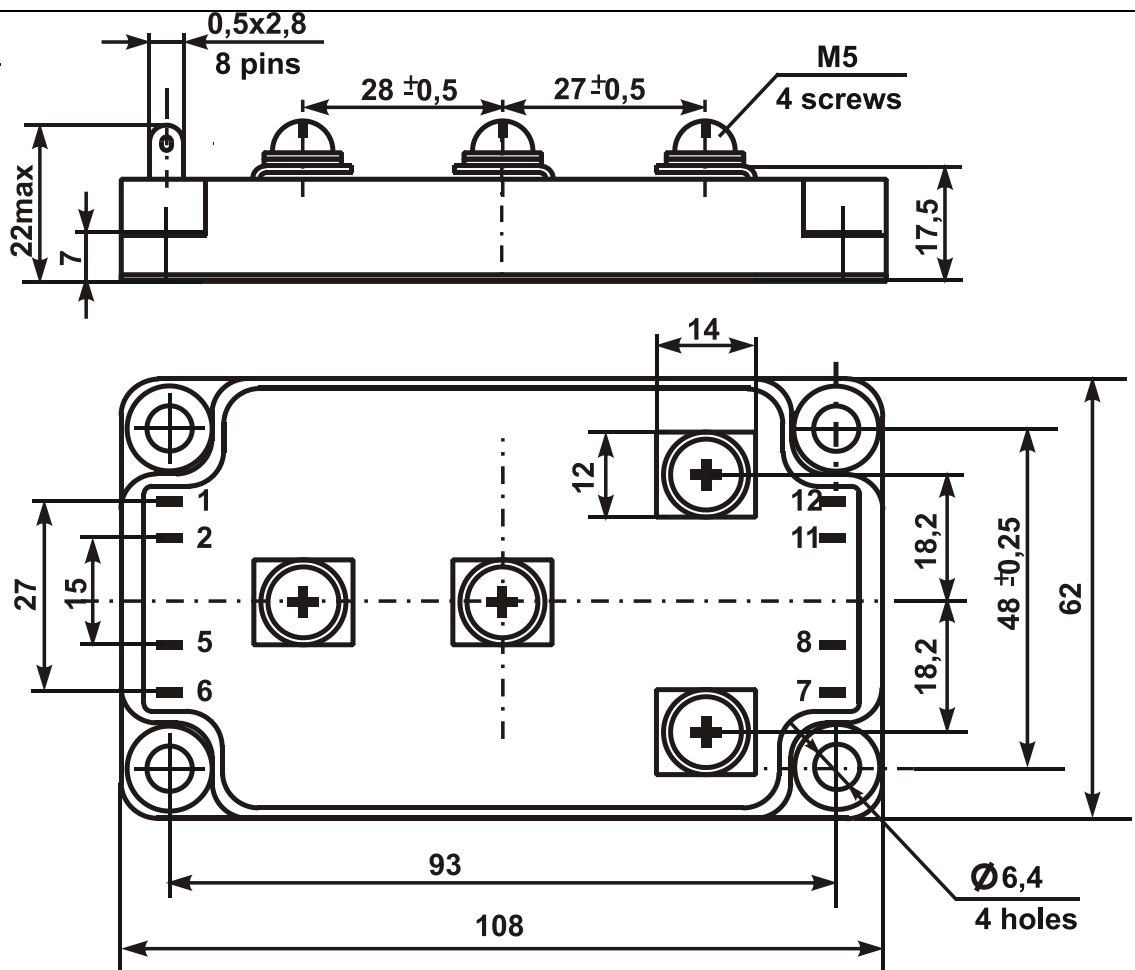


Fig.4 (Housing M1)

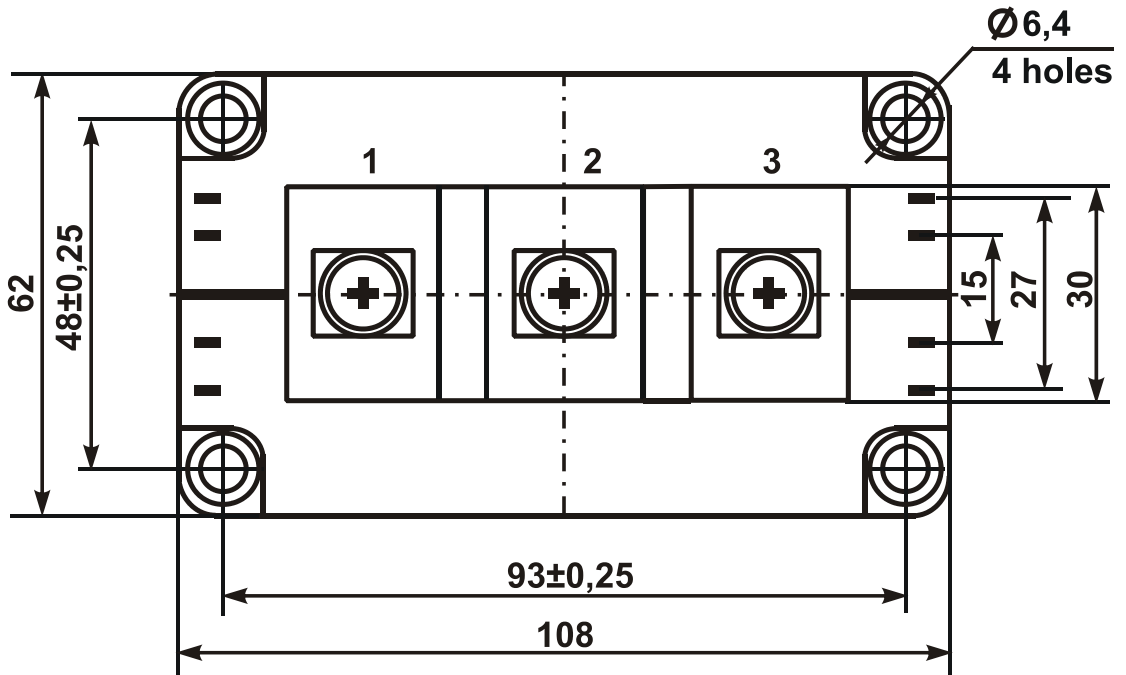
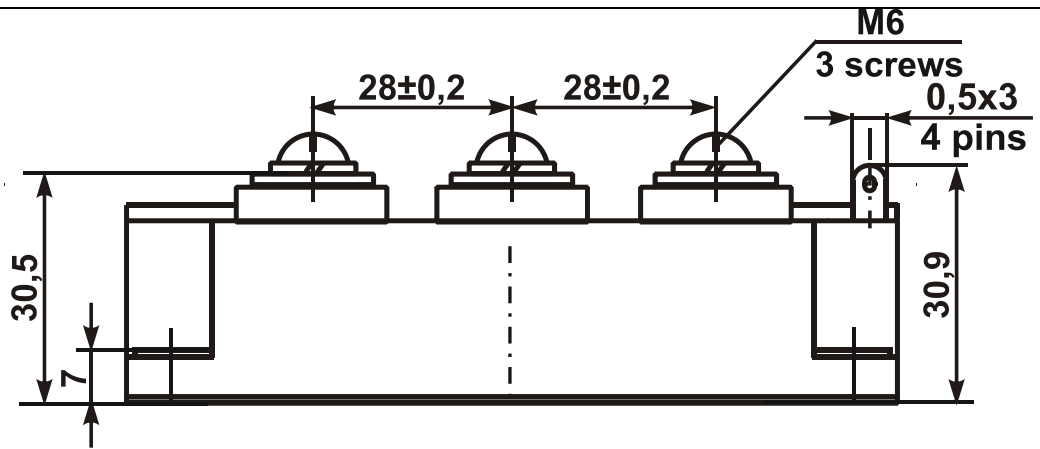
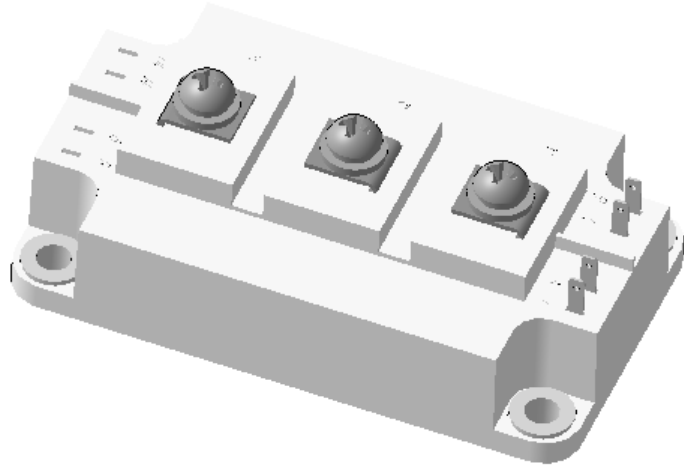


Fig.6 (Housing E3)

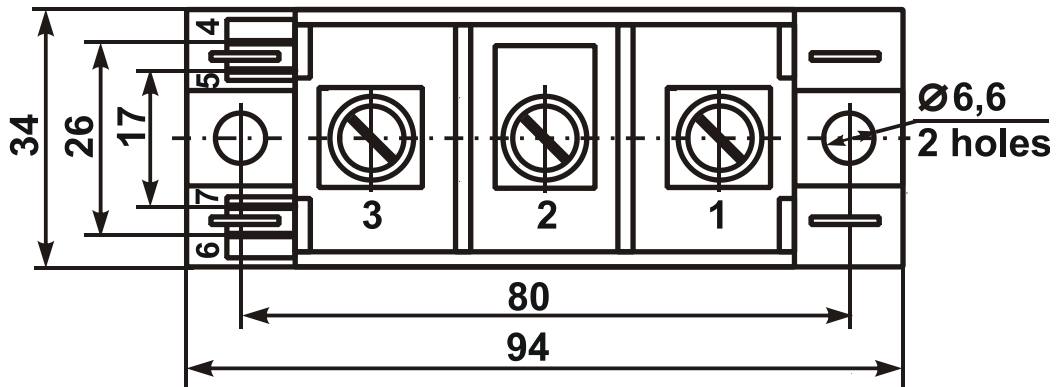
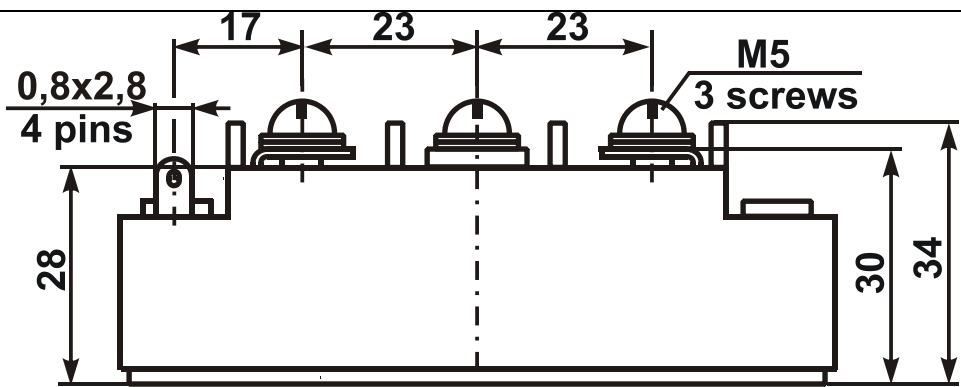


Fig.7 (Housing E2)

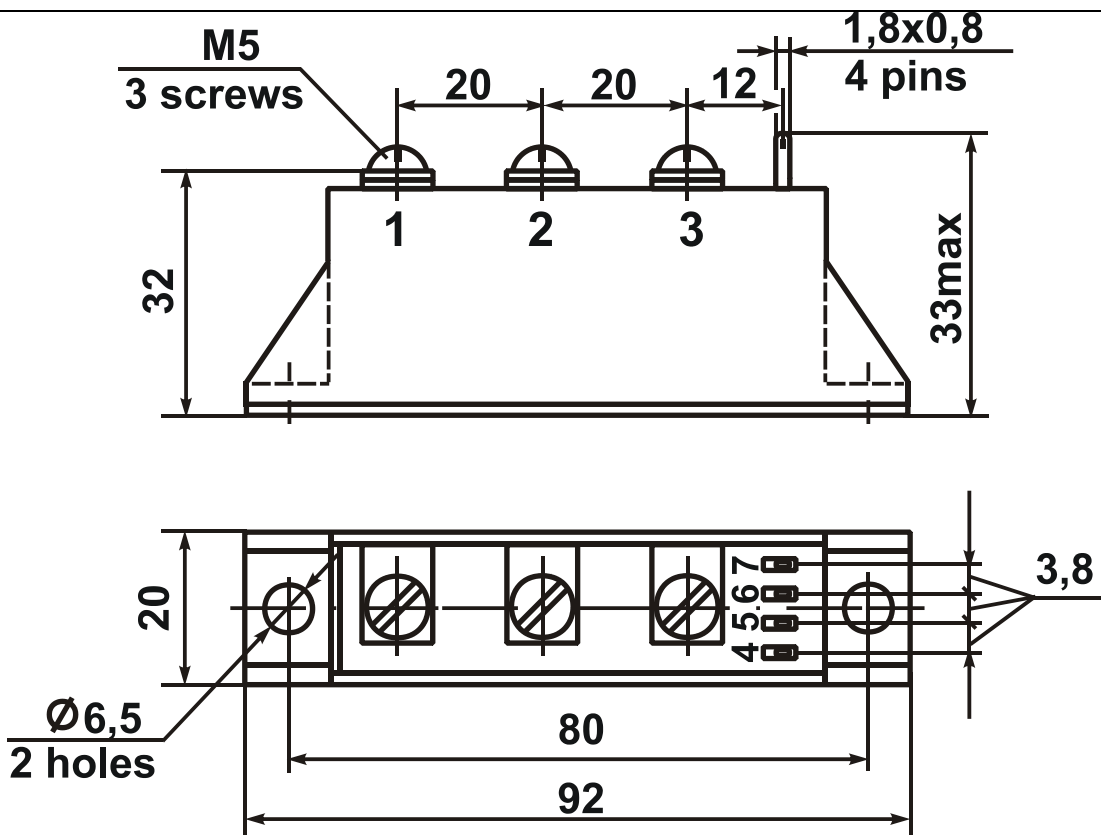
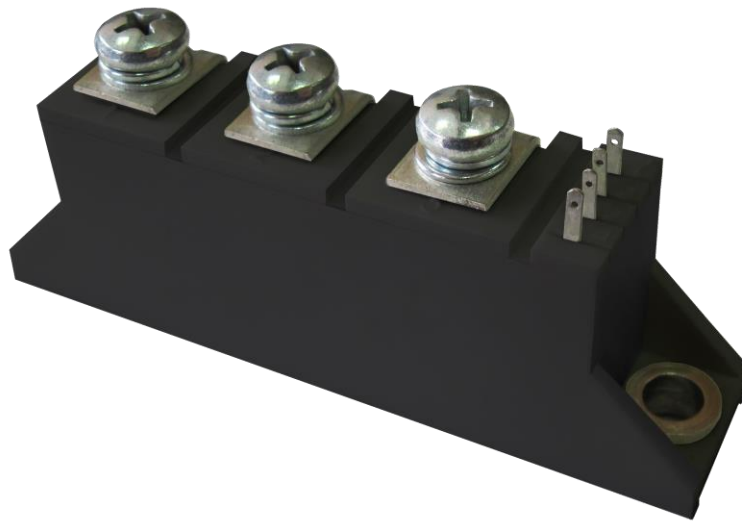


Fig.8 (Housing E1)

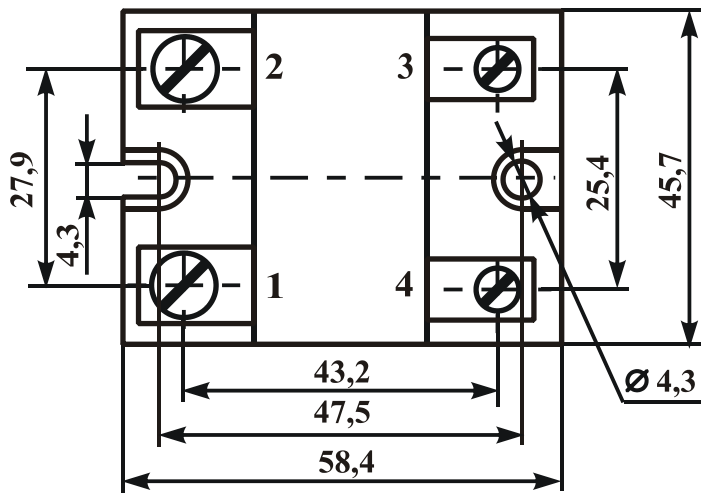
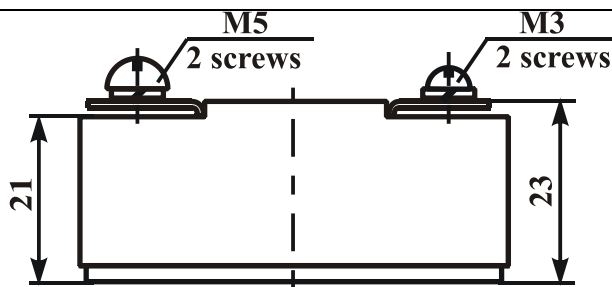


Fig.9 (Housing VM)

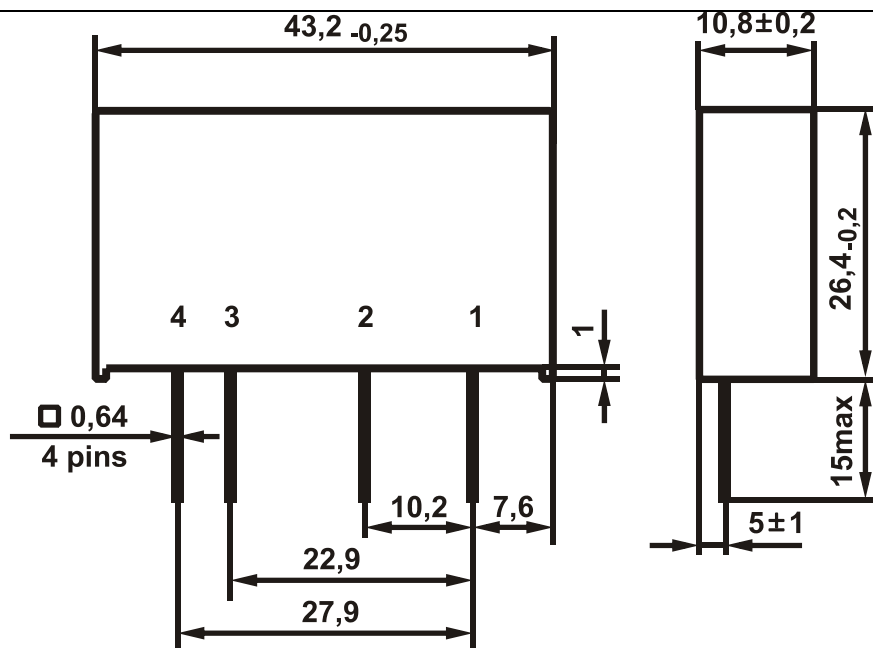
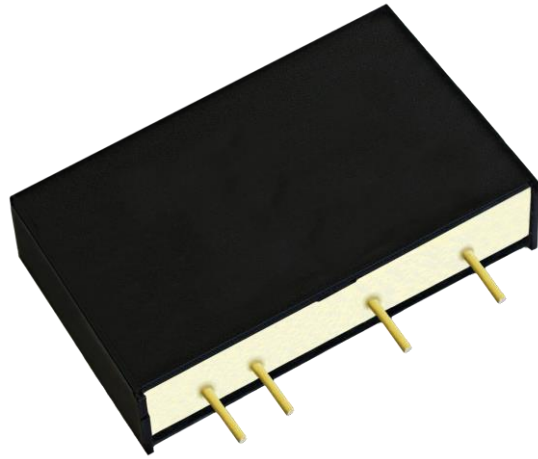


Fig.10 (Housing I (PP1))

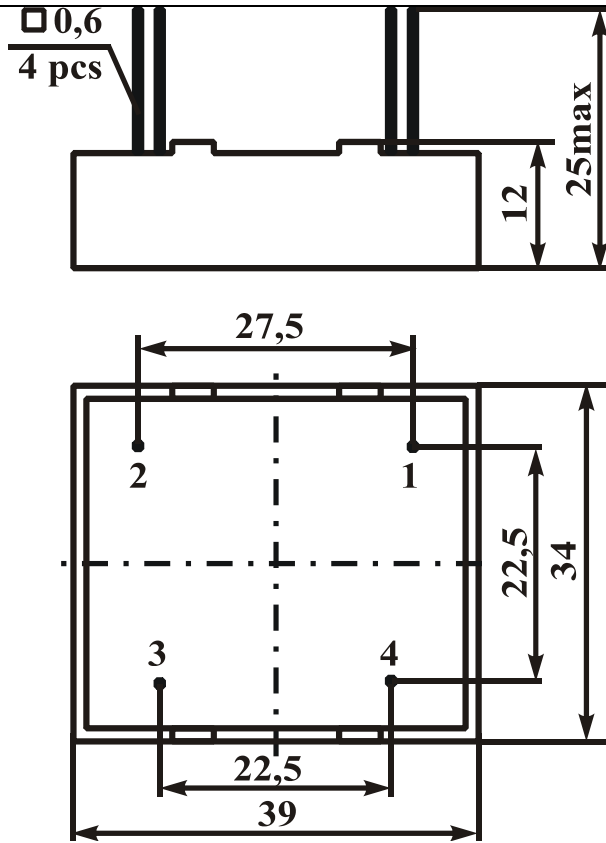


Fig.11 (Housing B (PP2))

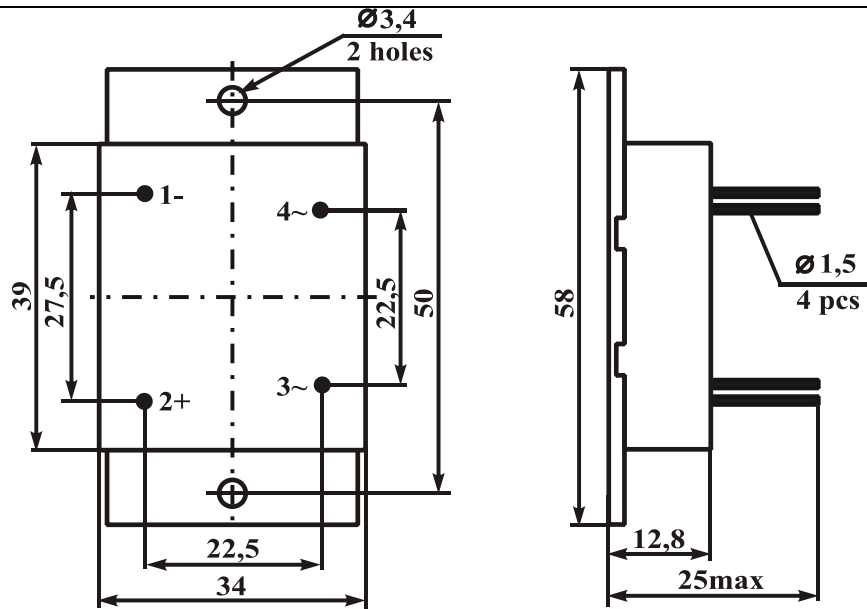
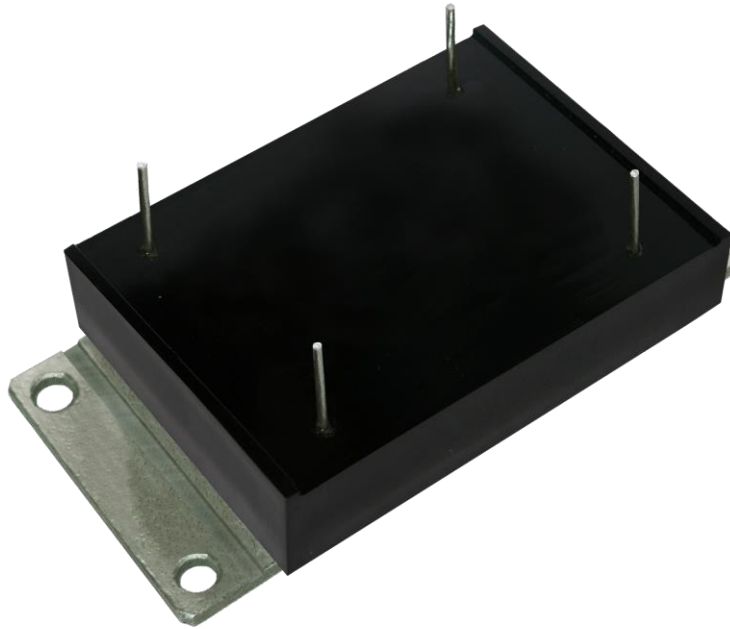


Fig.12 (Housing B (PP3))

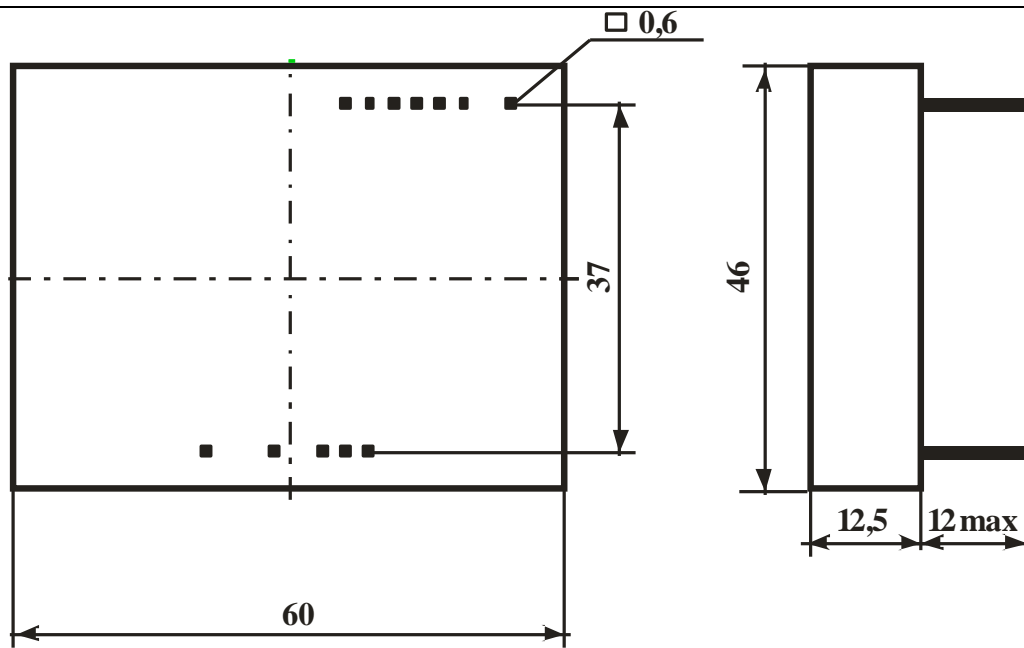
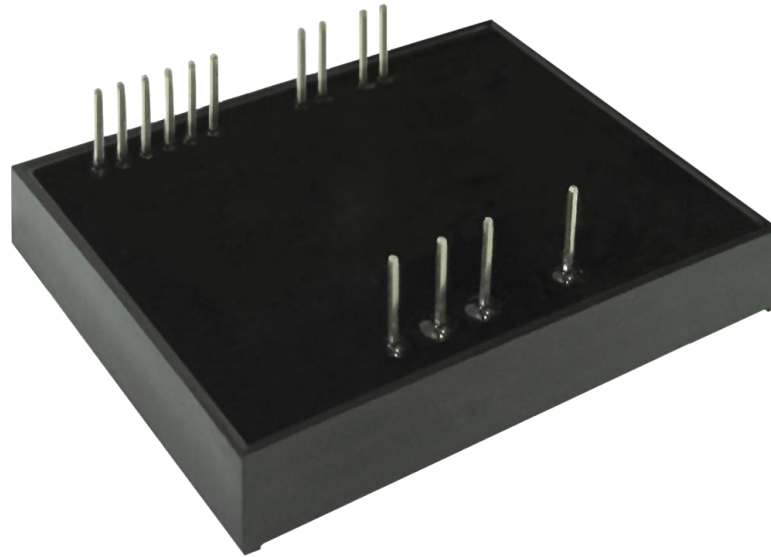


Fig.13 (Housing B (PP4))

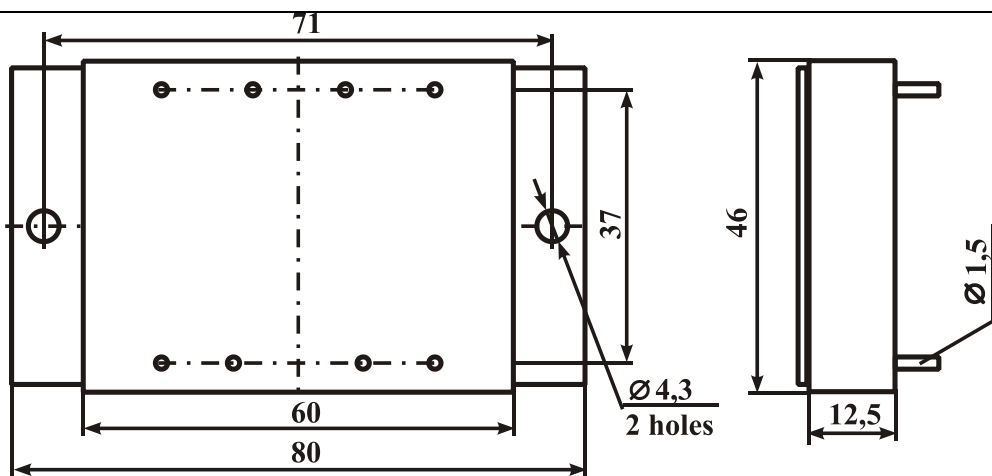
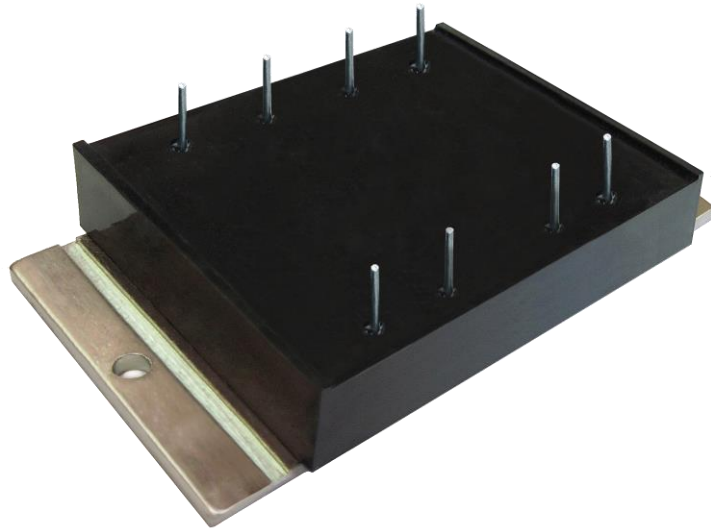


Fig.14 (Housing B (PP5))

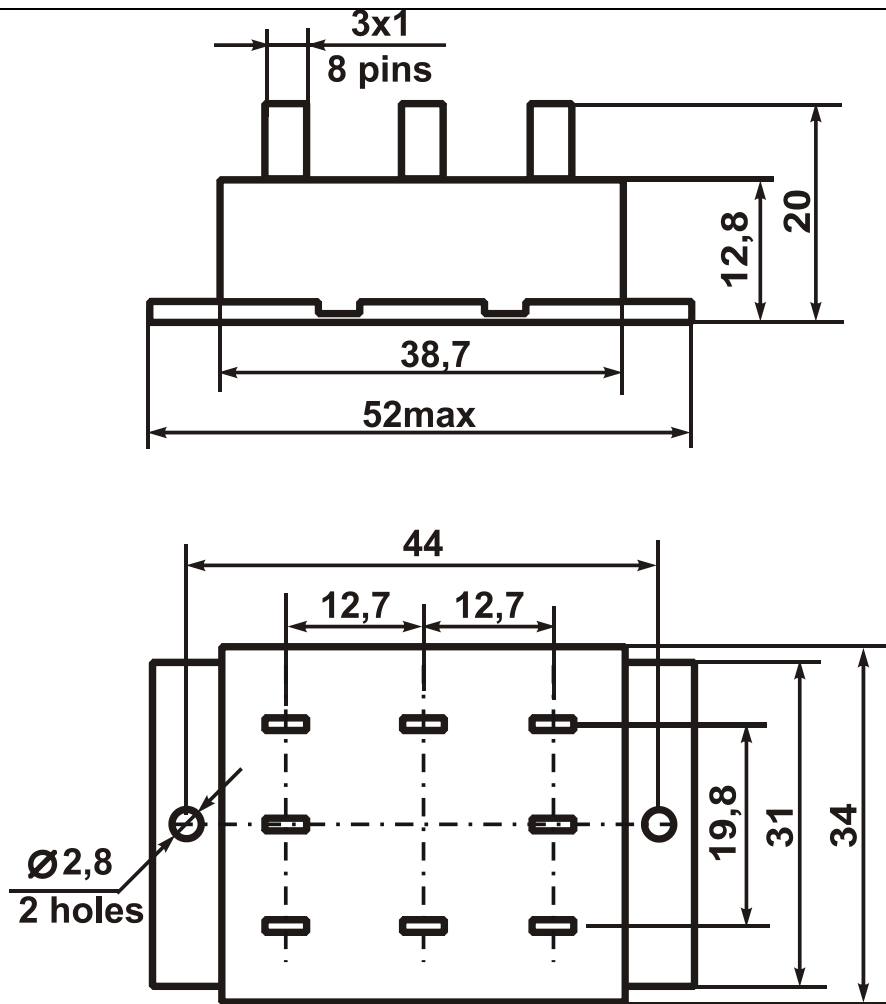
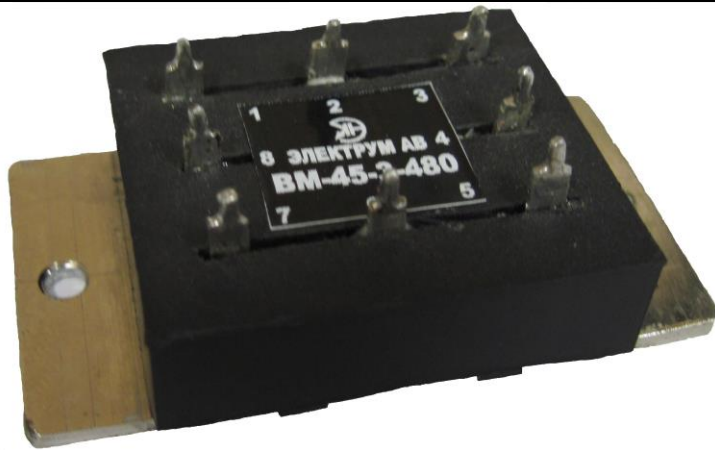


Fig.15 (Housing B (PP6))

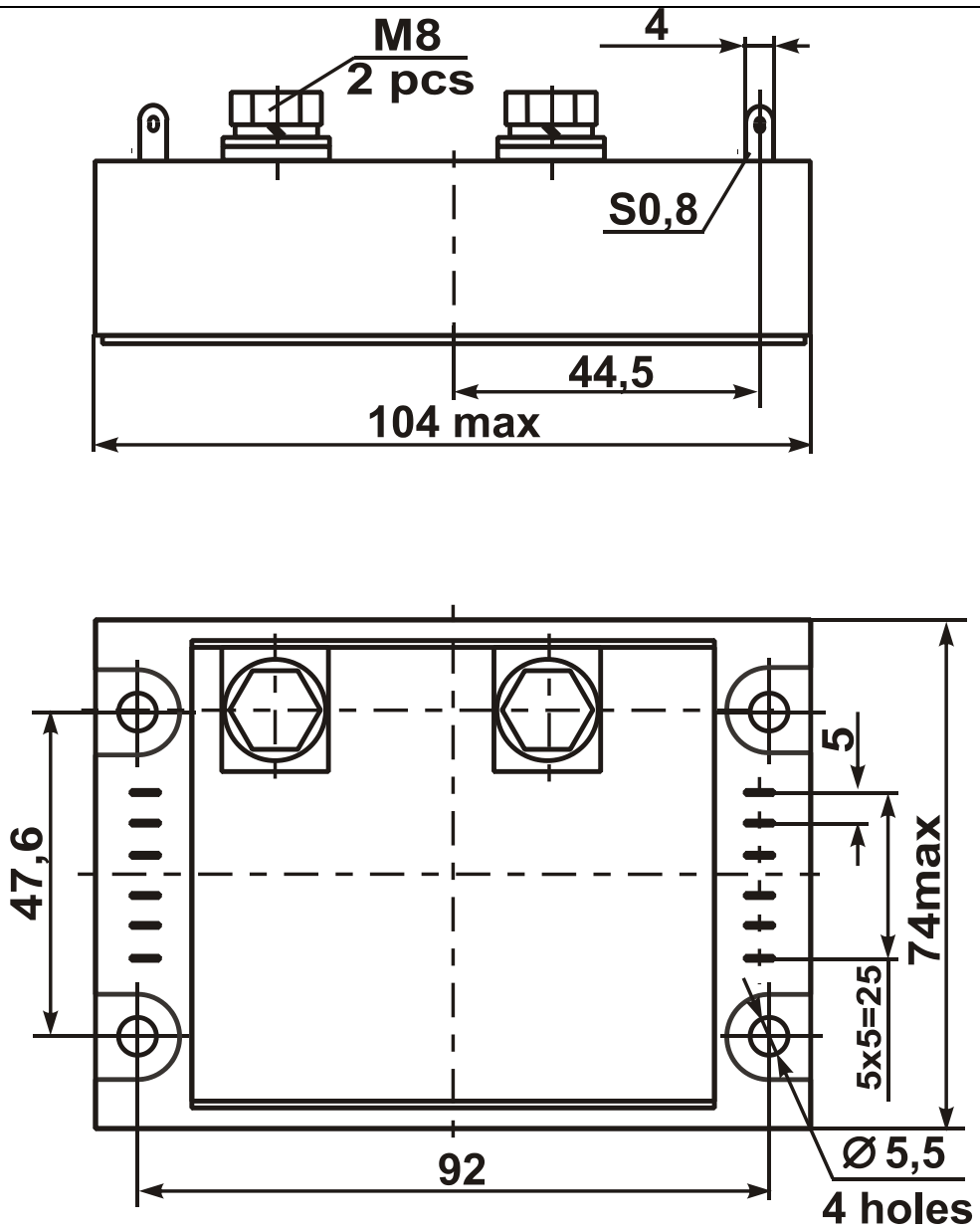


Fig.16 (Housing DM)

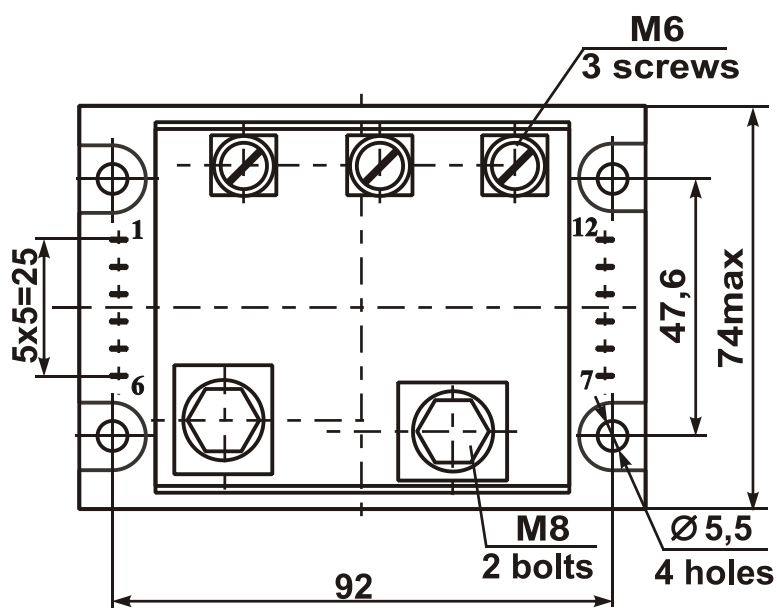
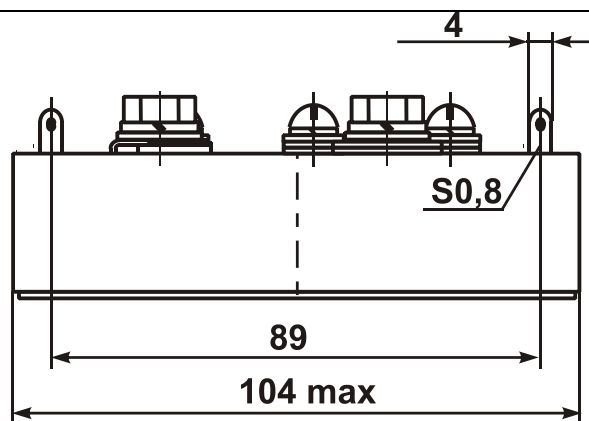


Fig.17 (Housing DM)

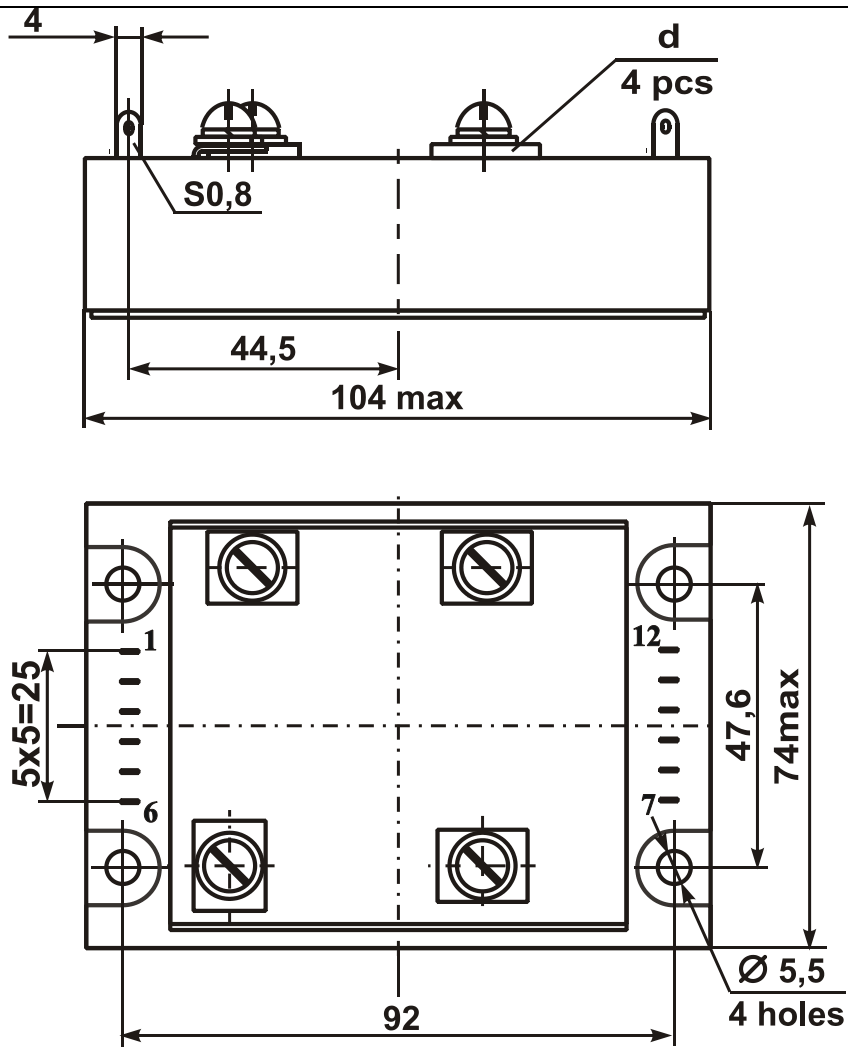
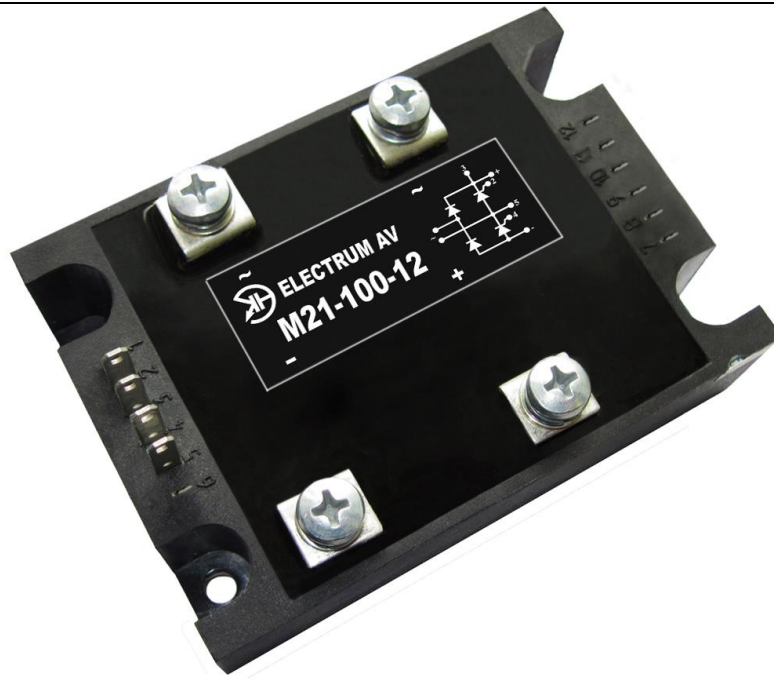


Fig.18 (Housing DM)

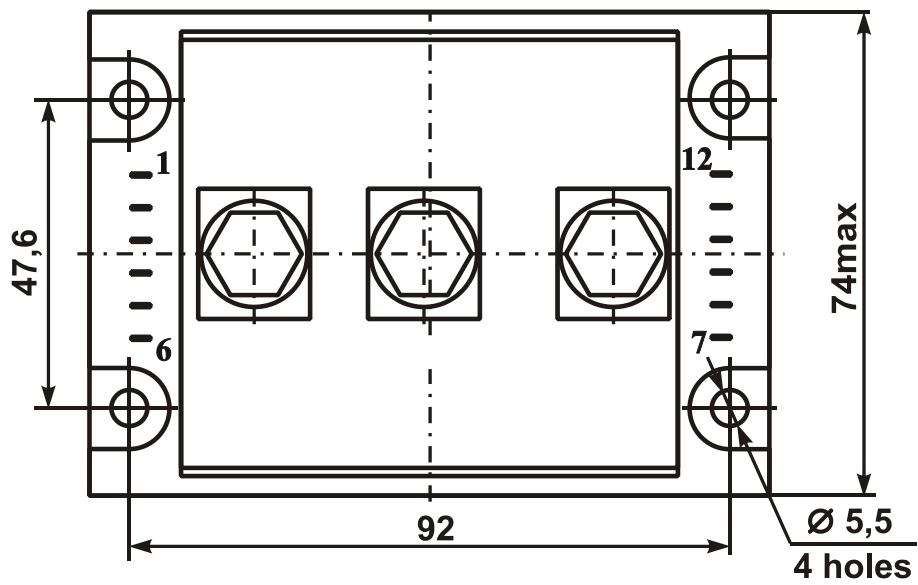
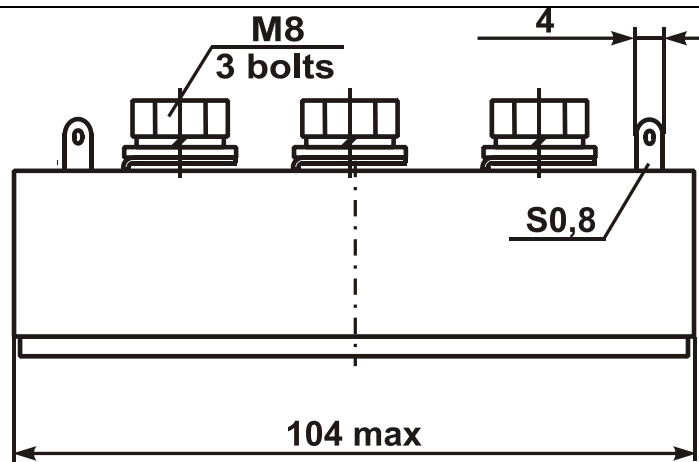


Fig.19 (Housing DM)

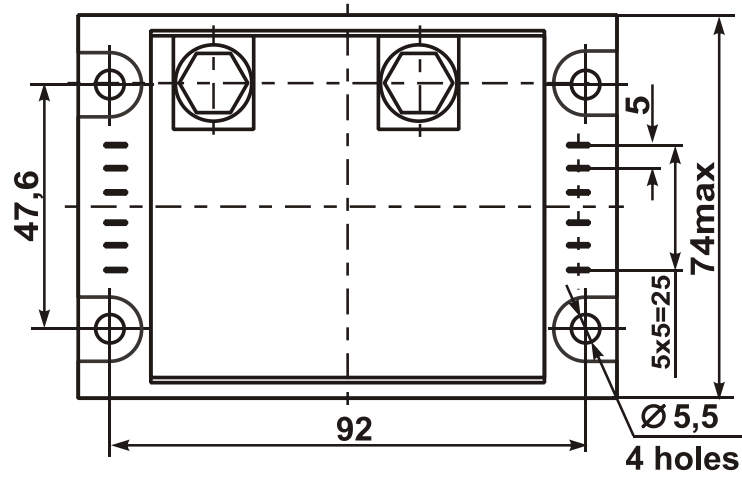
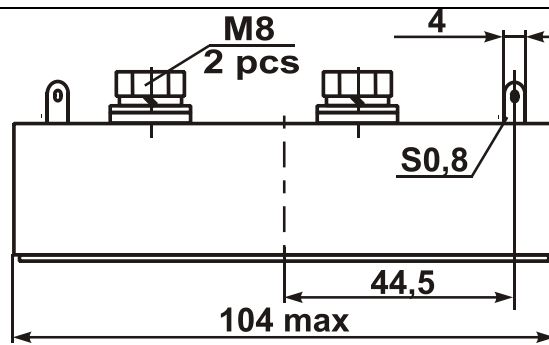


Fig.20 (Housing DM)

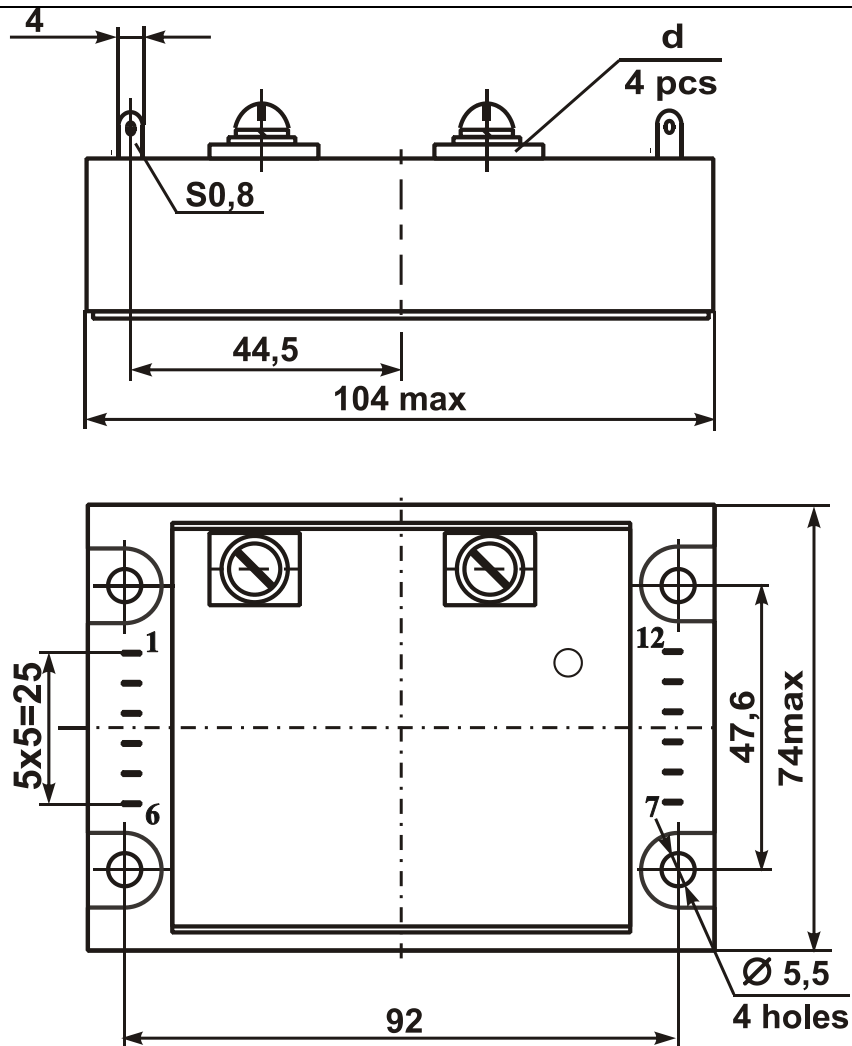


Fig.21 (Housing DM)

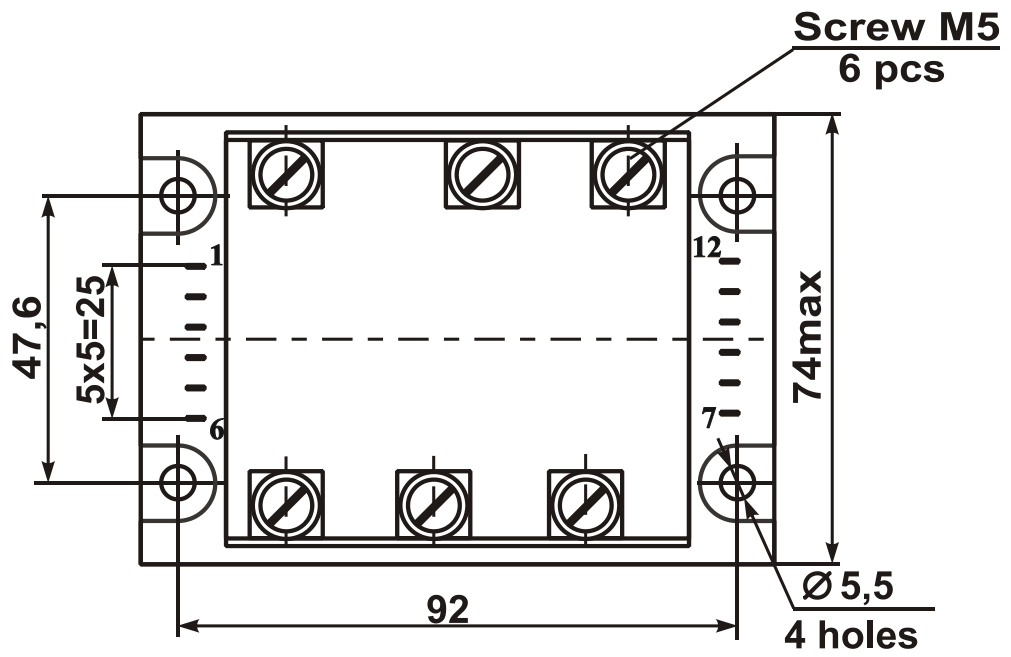
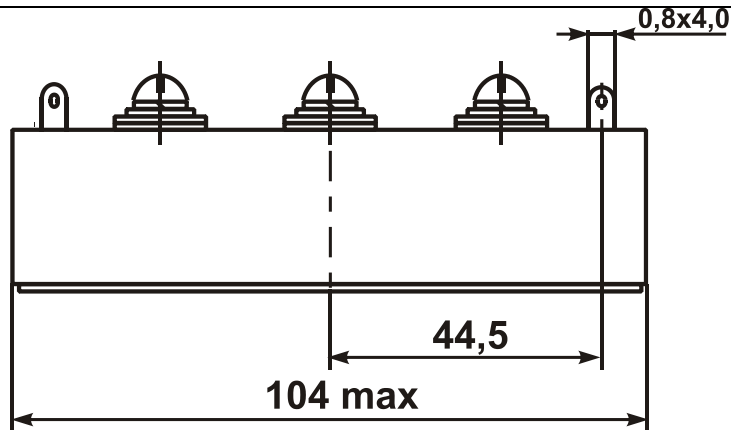


Fig.22 (Housing DM)

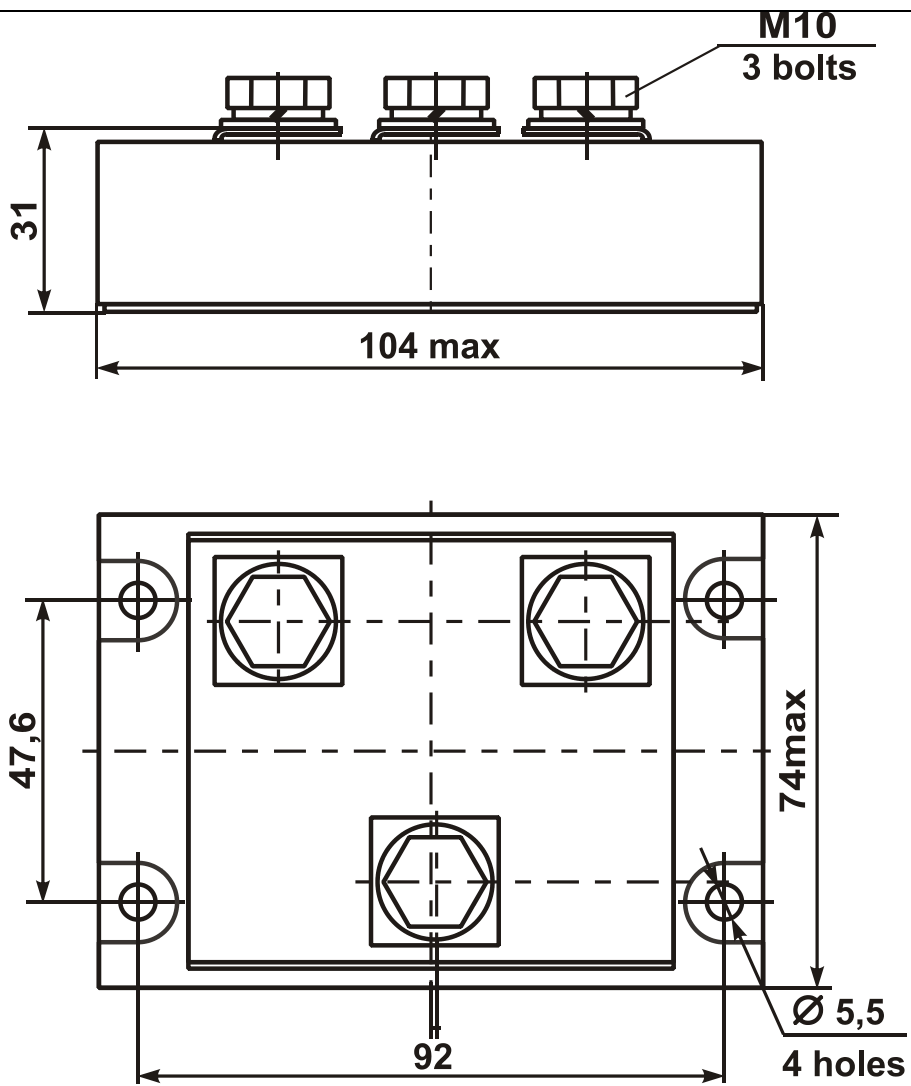


Fig.23 (Housing DM)

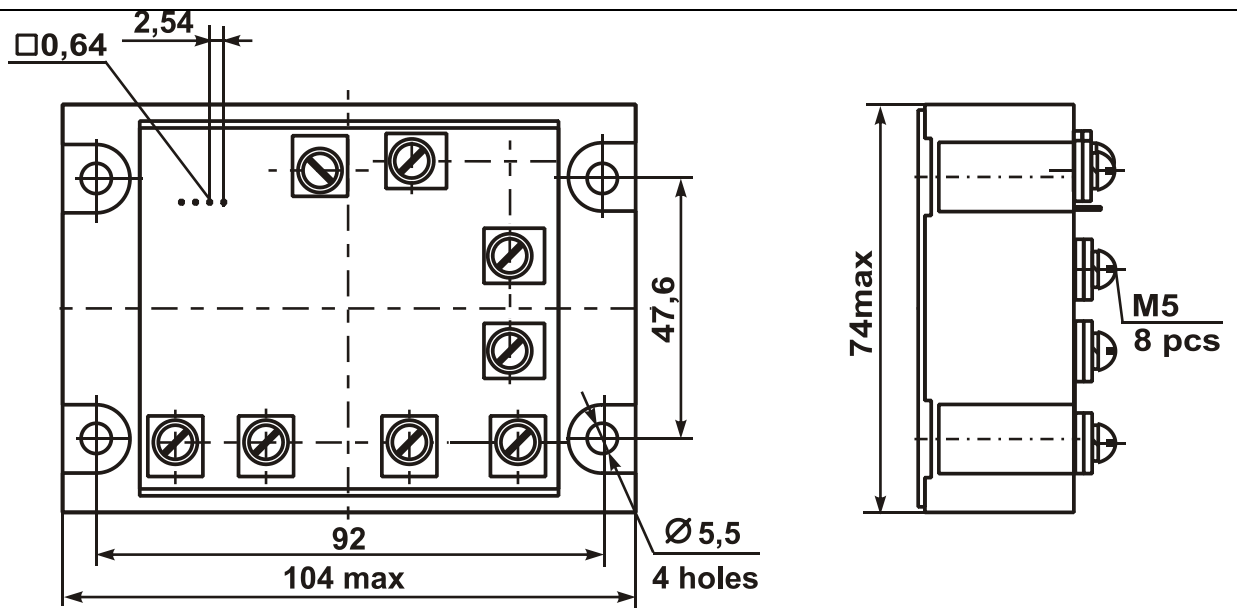


Fig.24 (Housing DM)

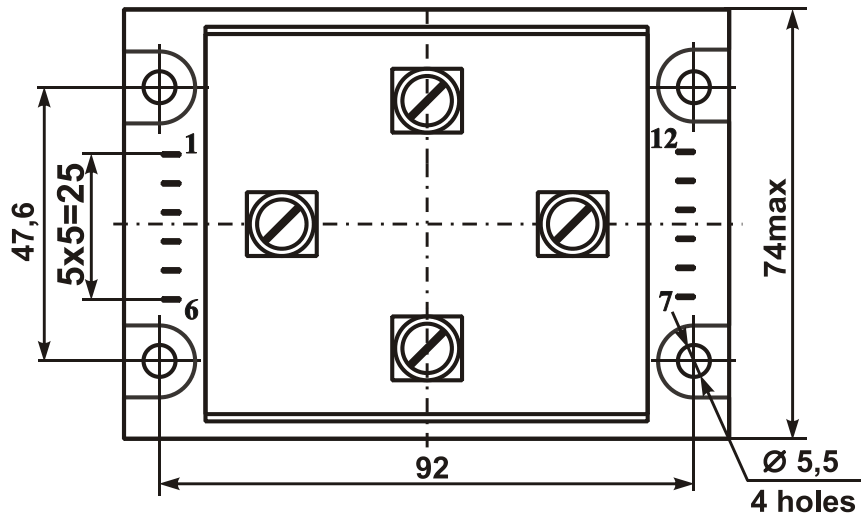
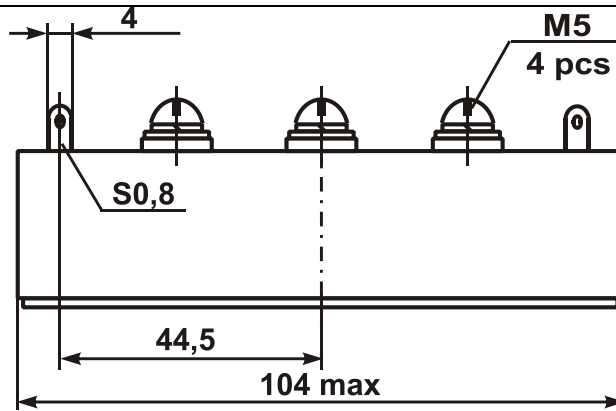


Fig.25 (Housing DM)

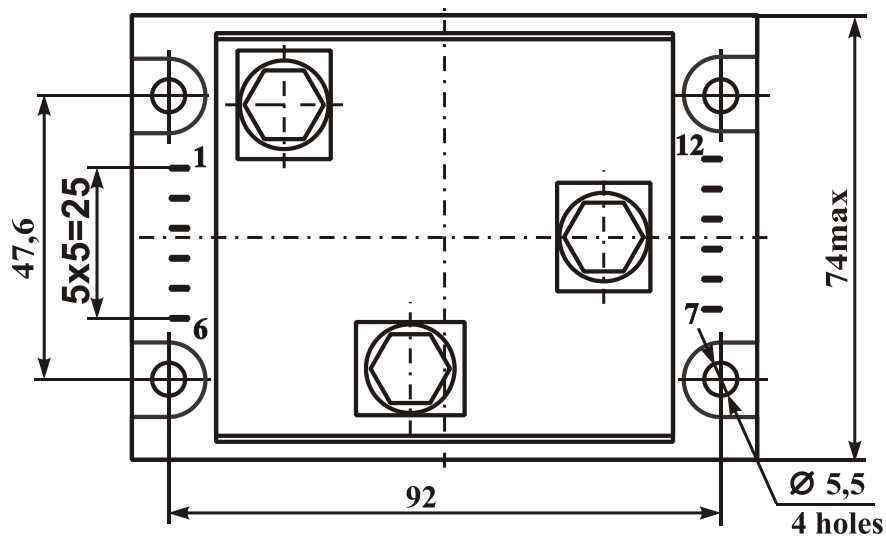
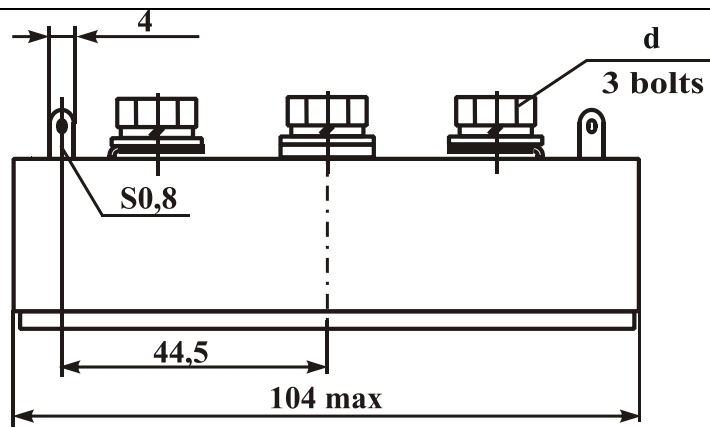


Fig.26 (Housing DM)

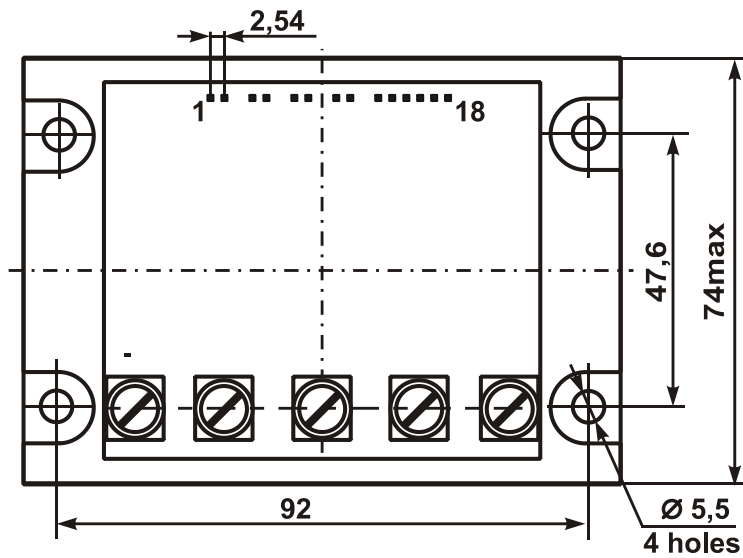
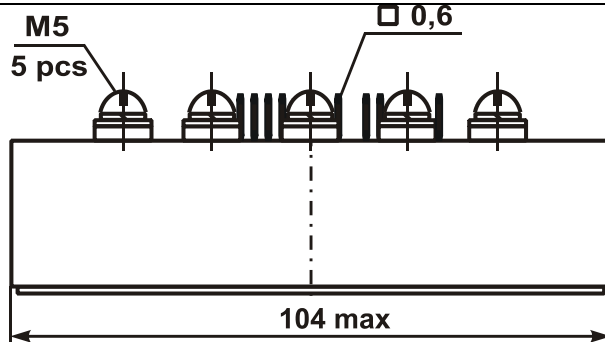


Fig.27 (Housing DM)

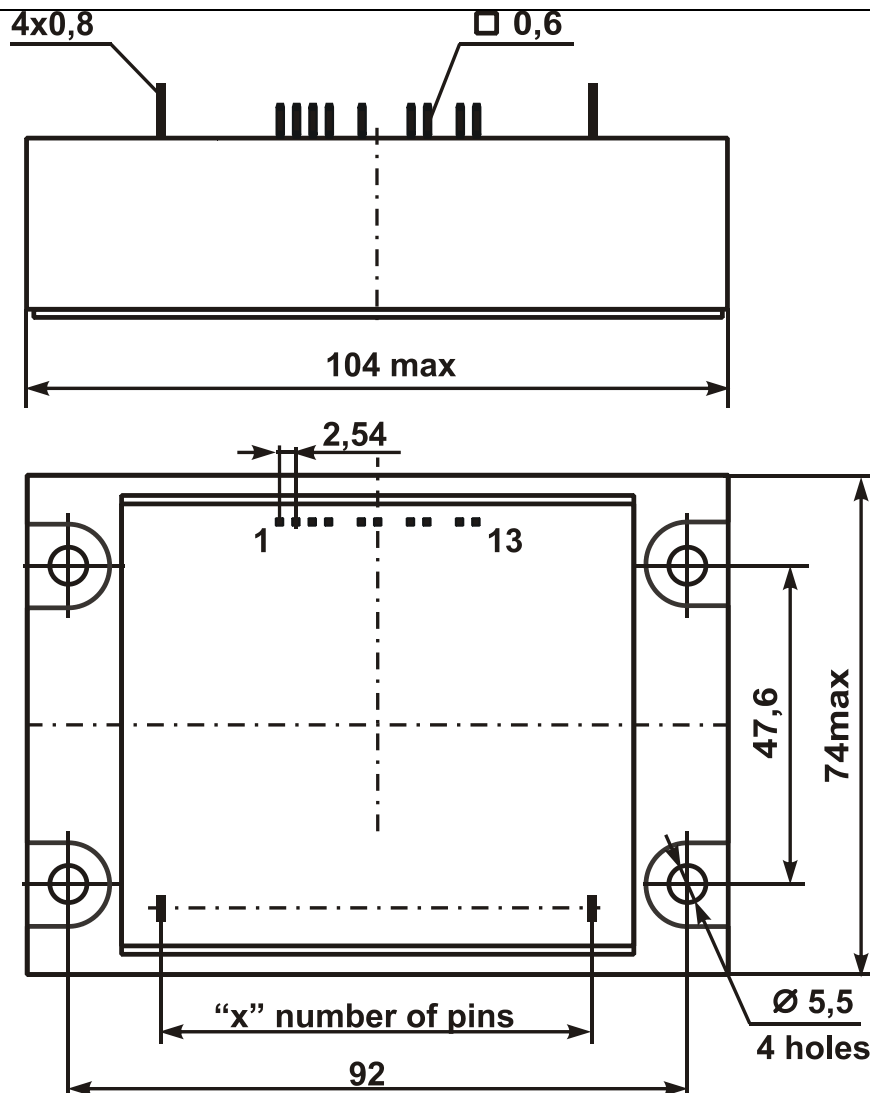


Fig.28 (Housing DM)

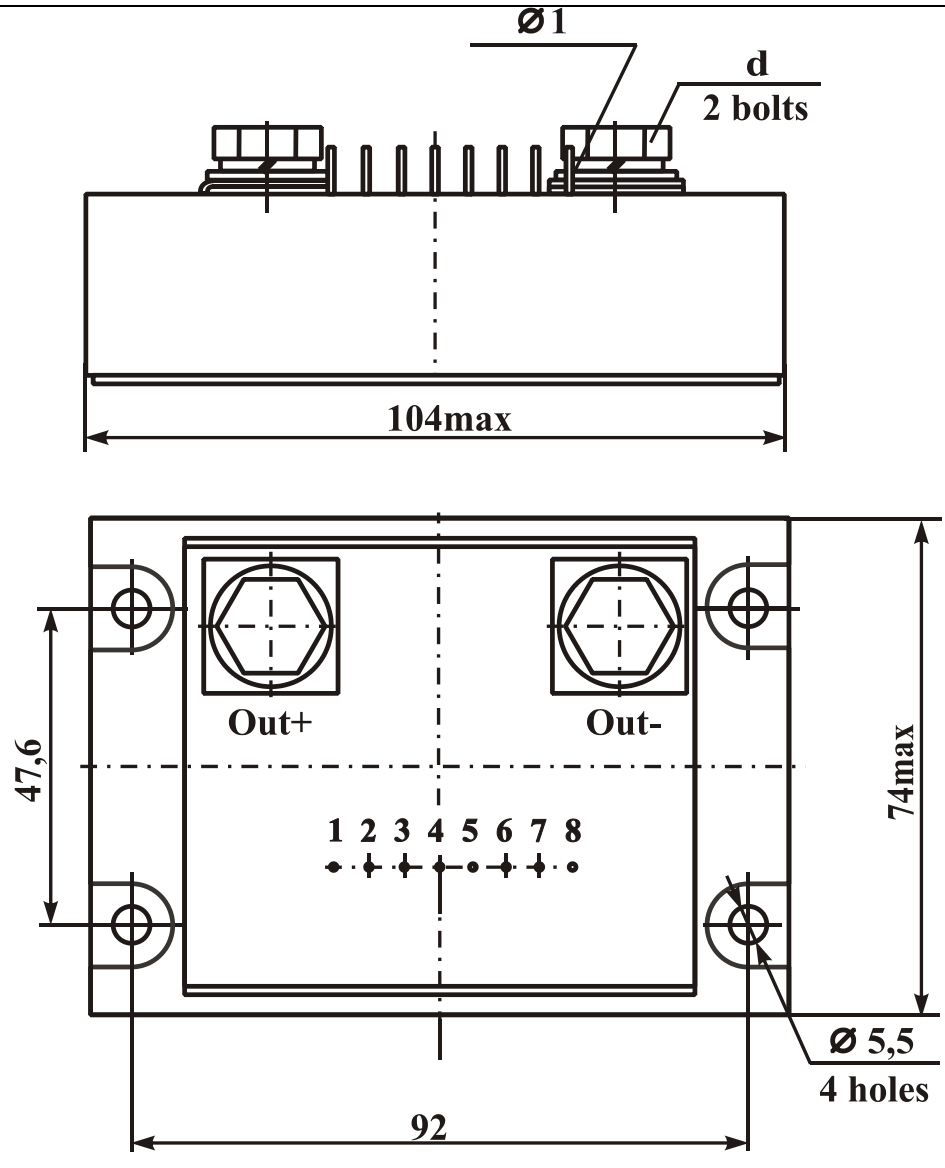


Fig.29 (Housing DM)

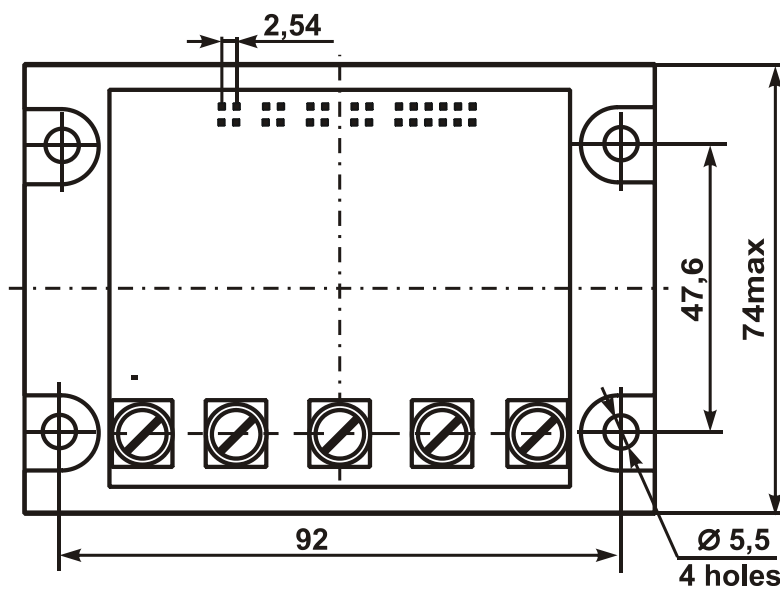
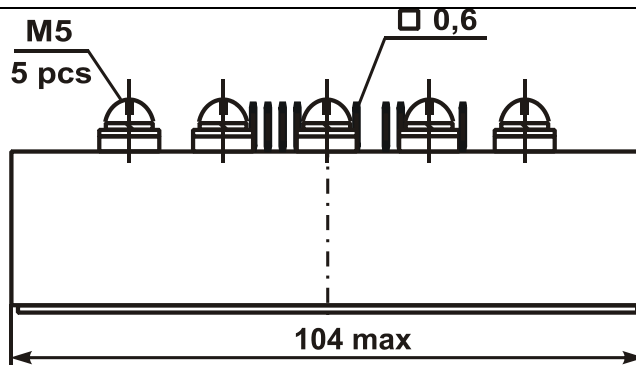


Fig. 30 (Housing DM)

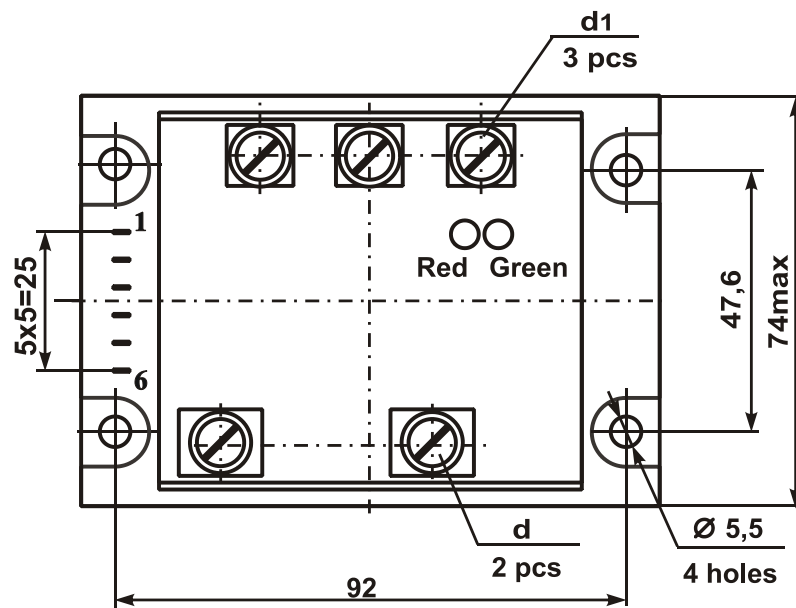
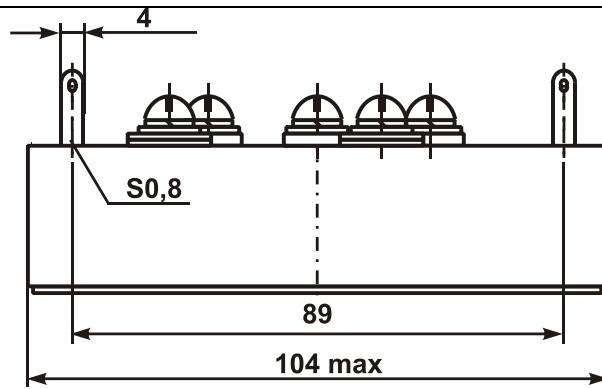
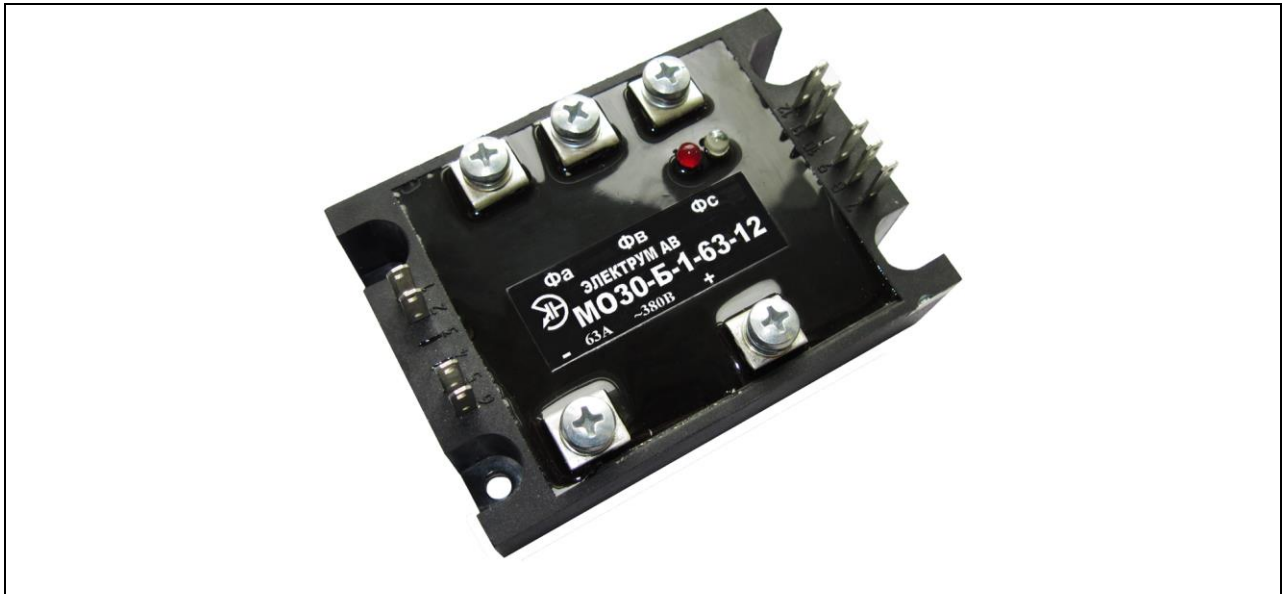


Fig.31 (Housing DM)

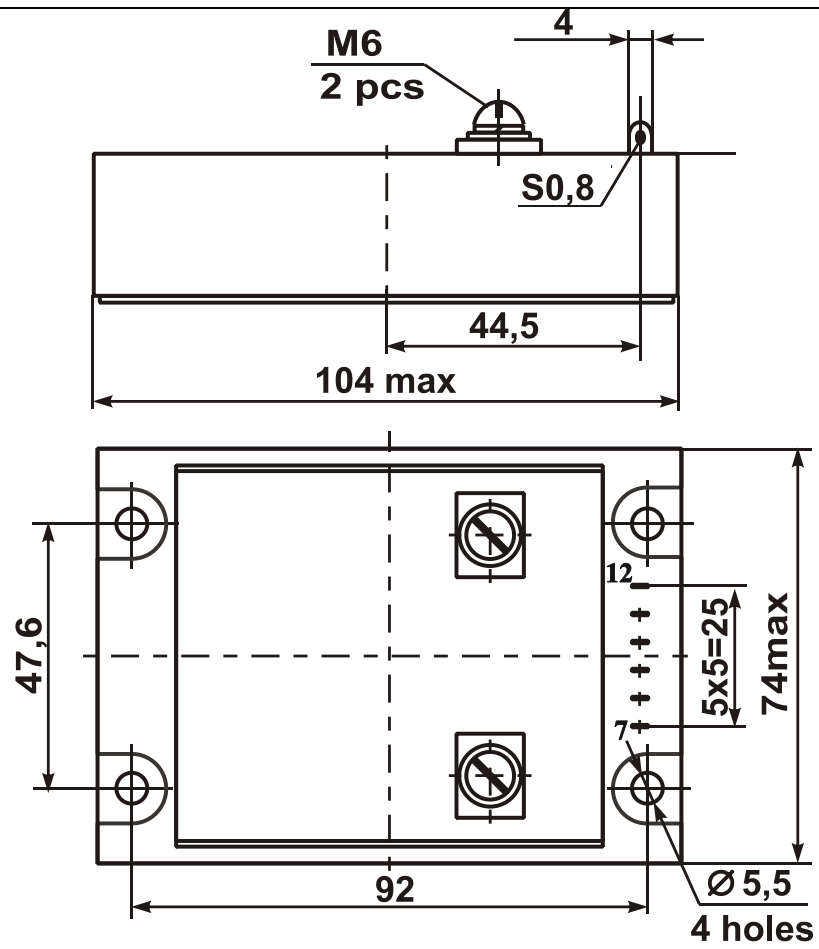


Fig.32 (Housing DM)

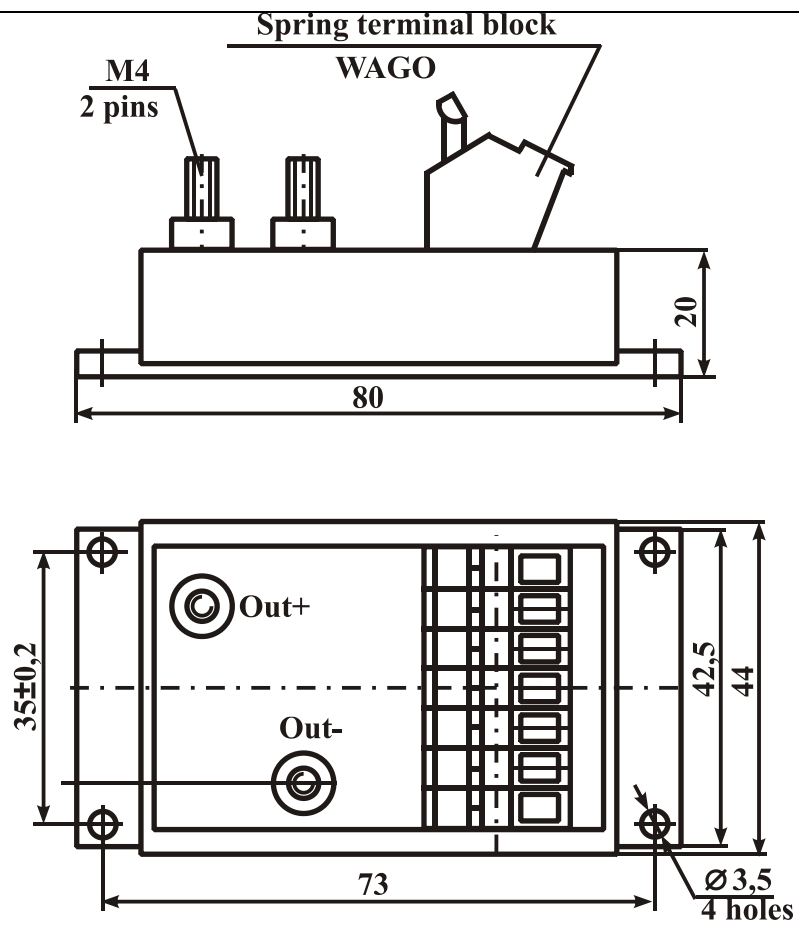
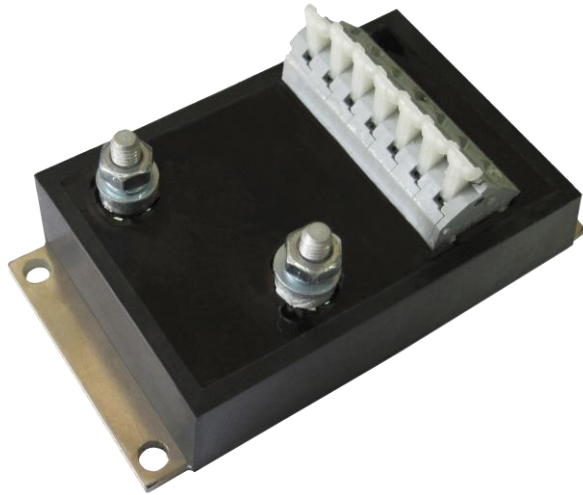


Fig.33 (Housing MKKT)

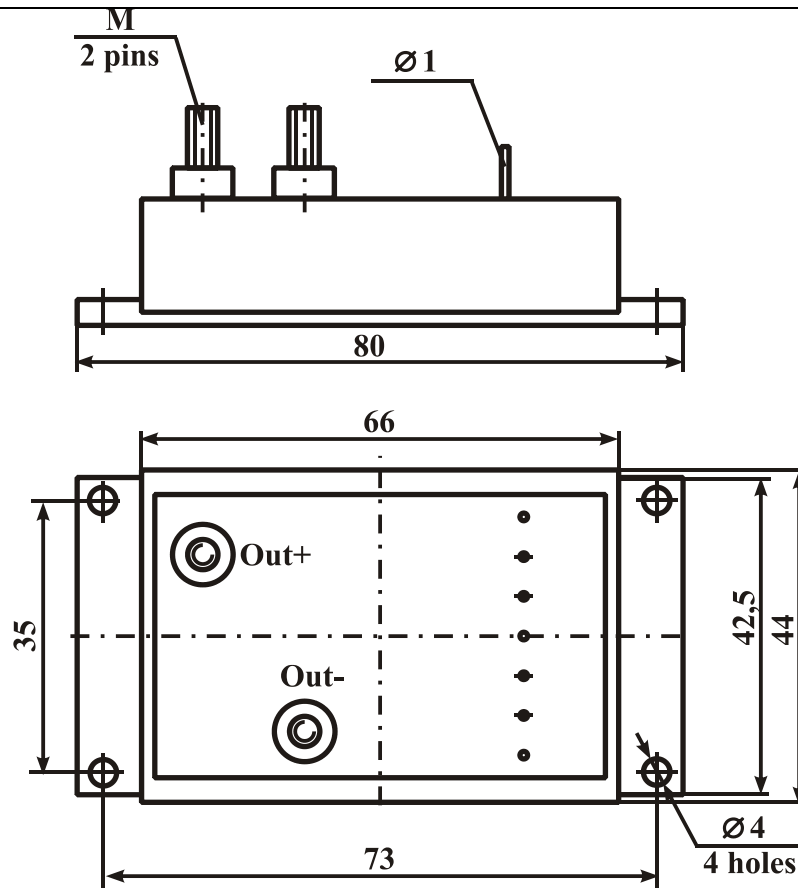


Fig.34 (Housing MKKT)

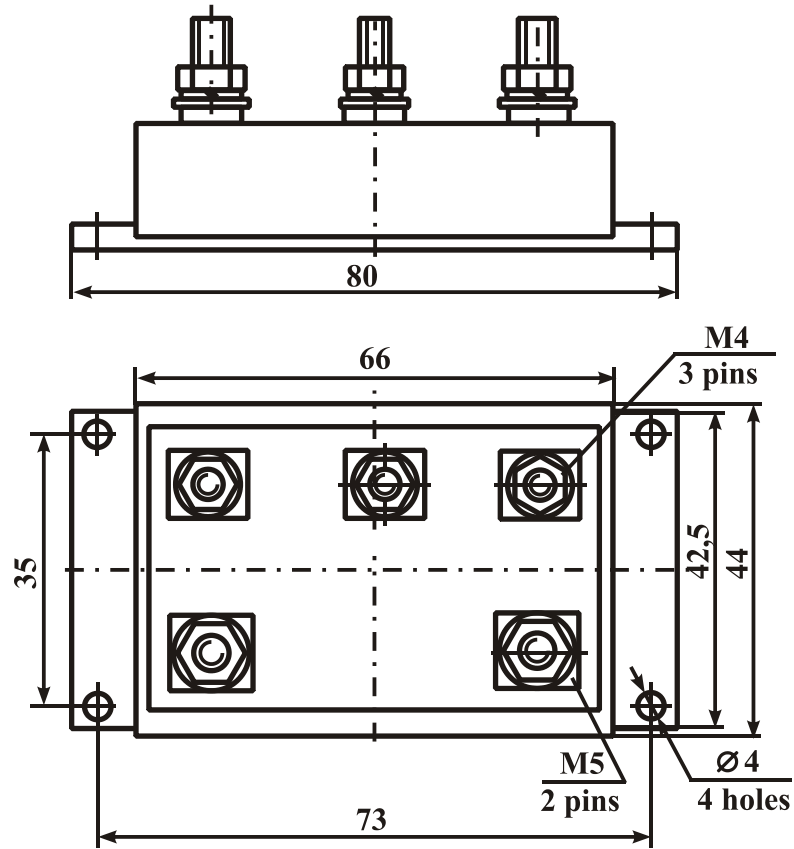


Fig.35 (Housing MKKT)

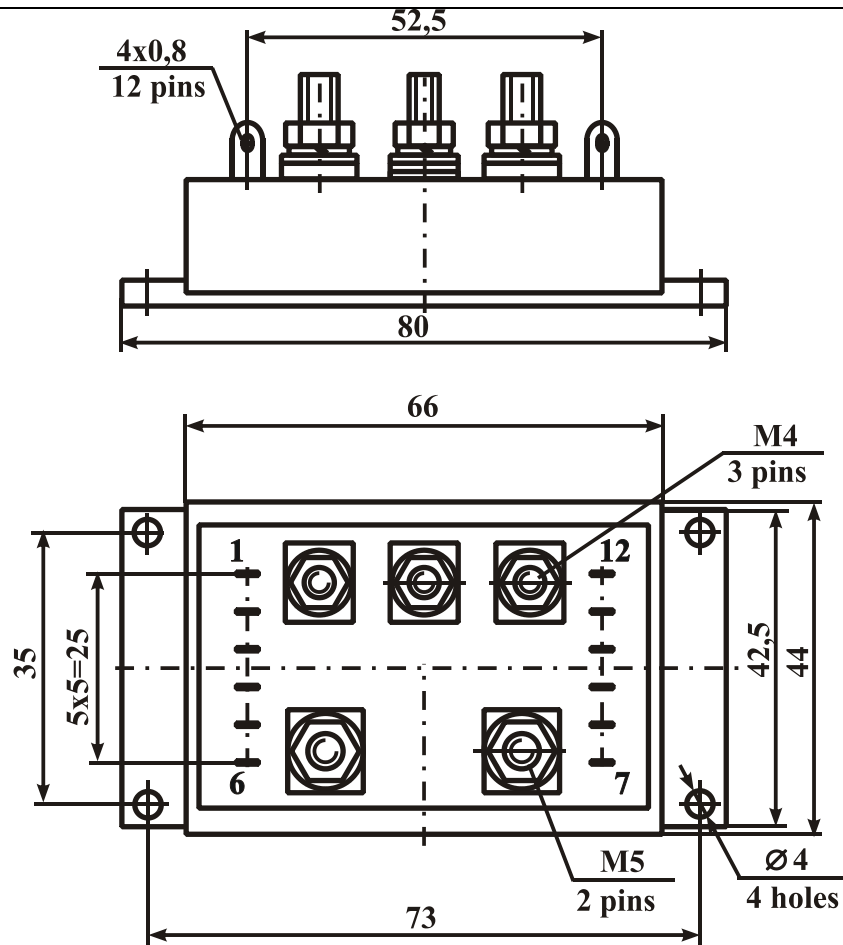


Fig.36 (Housing MKKT)

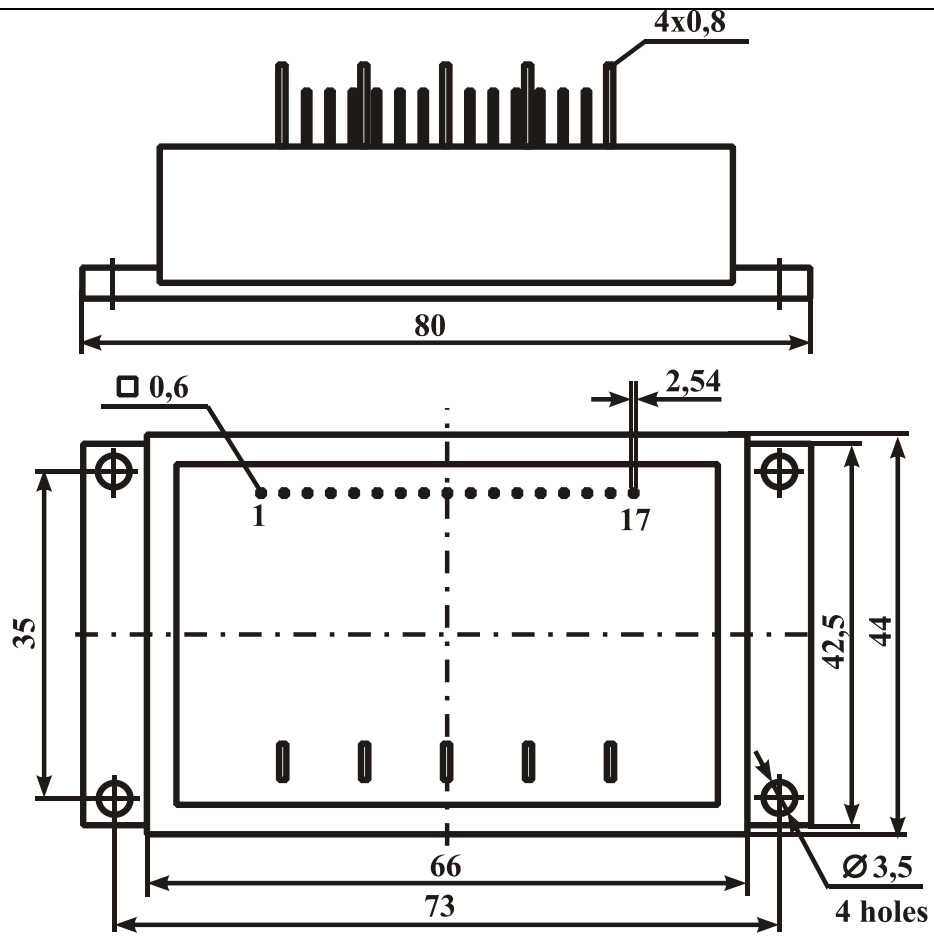
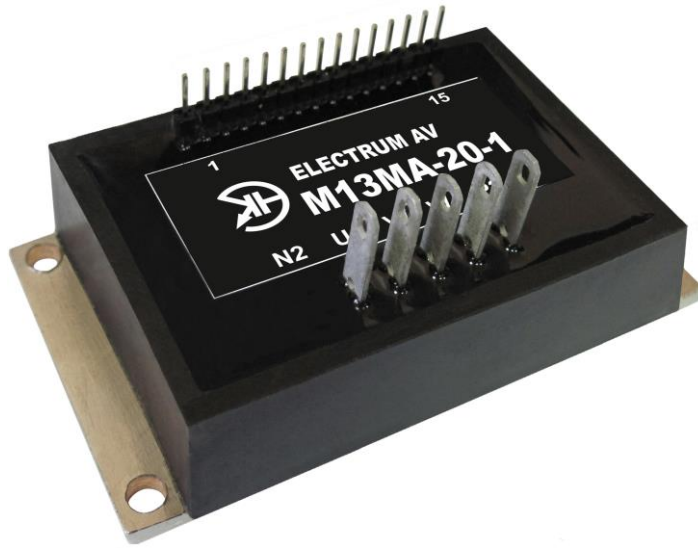


Fig.37 (Housing MKKT)

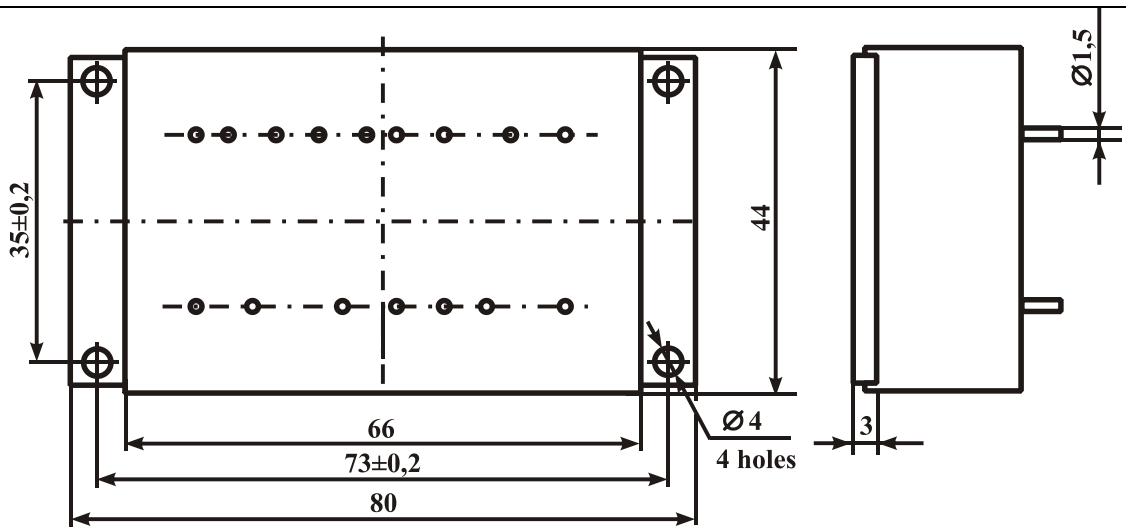


Fig.38 (Housing MKKT)

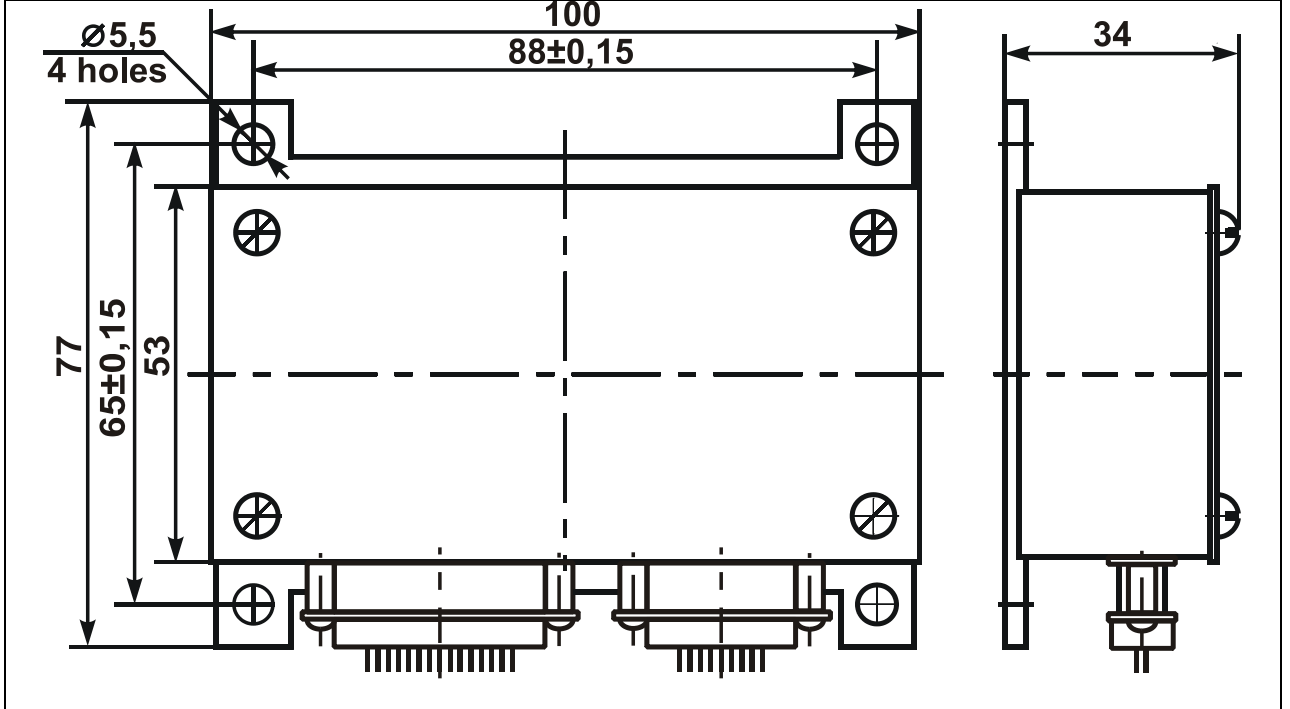


Fig.39 ("Yars")

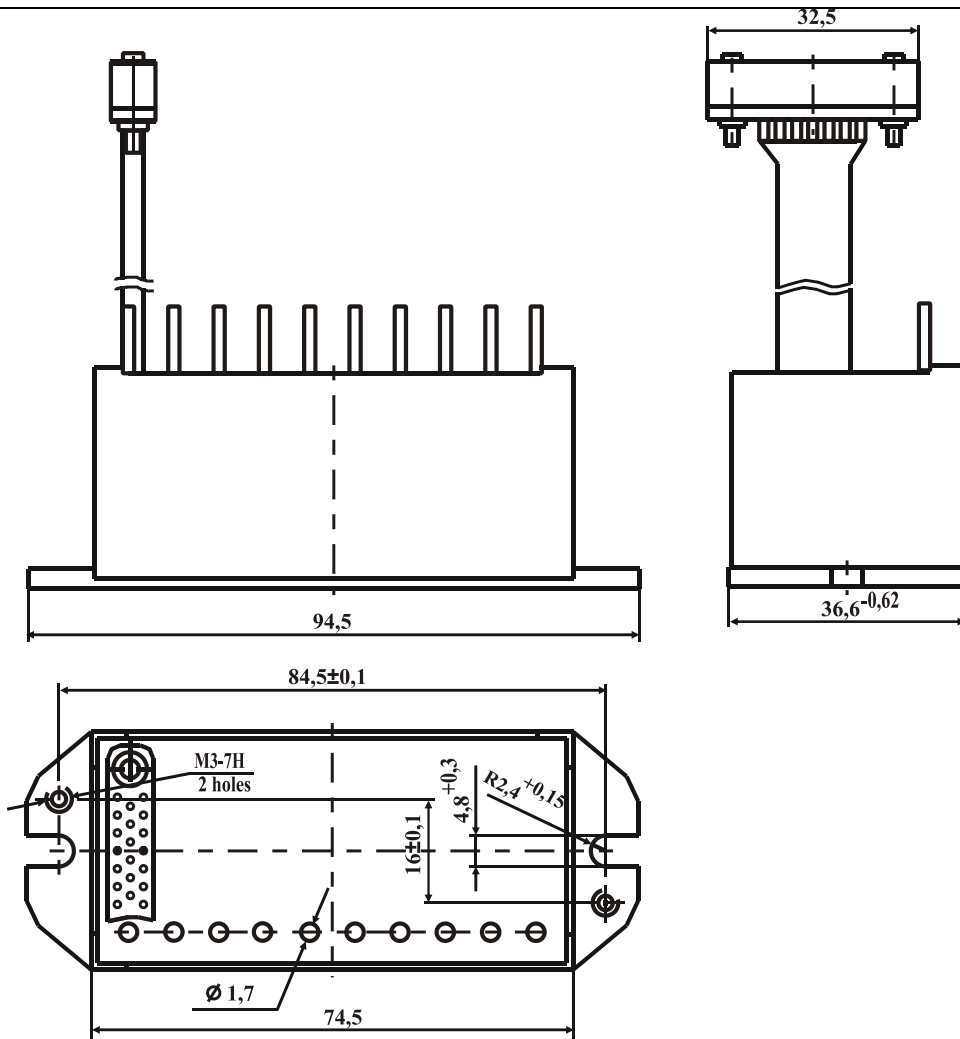
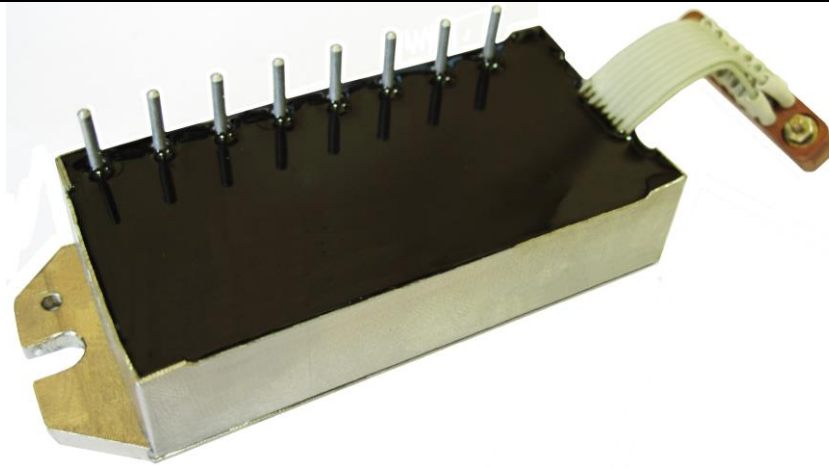


Fig.40 (“Vympel”)

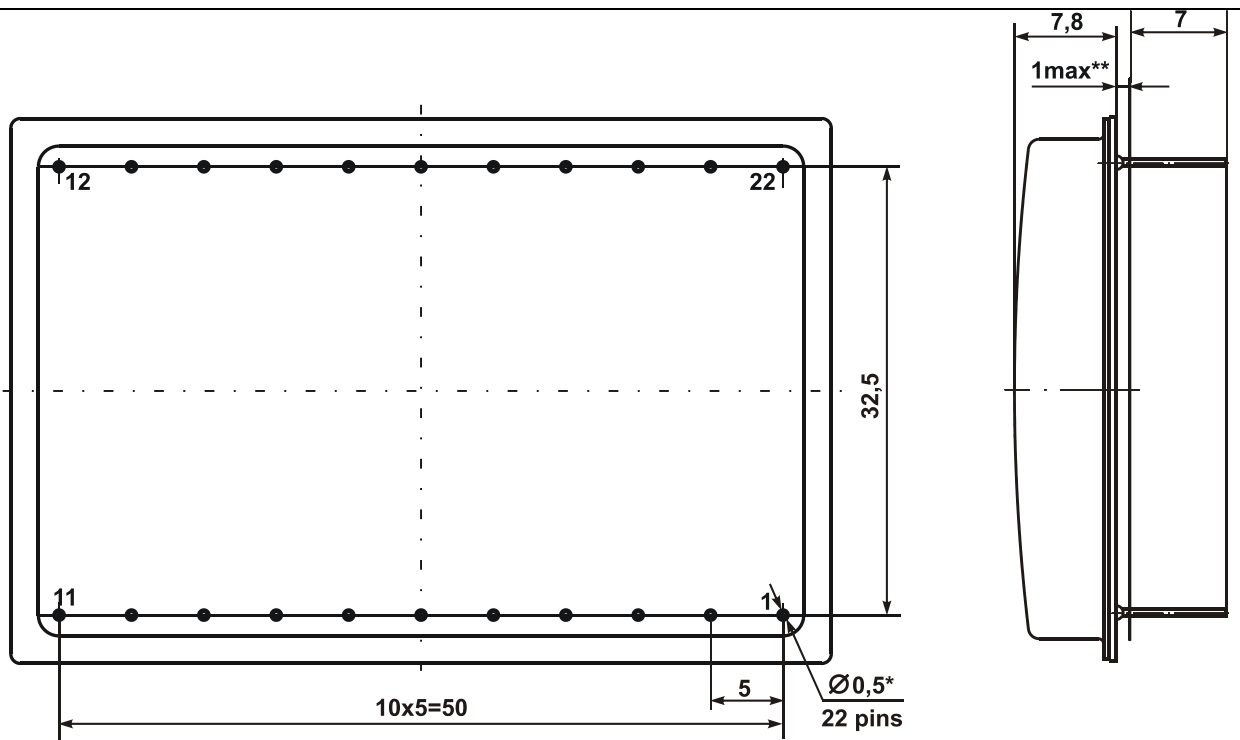
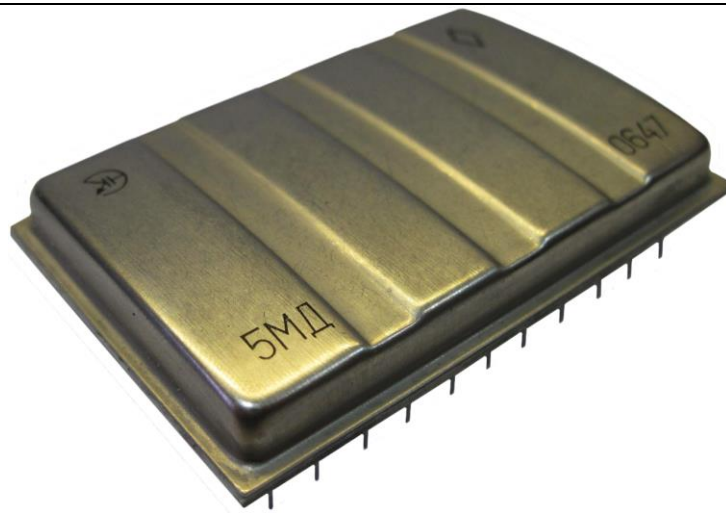


Fig.41 ("Voronezh")

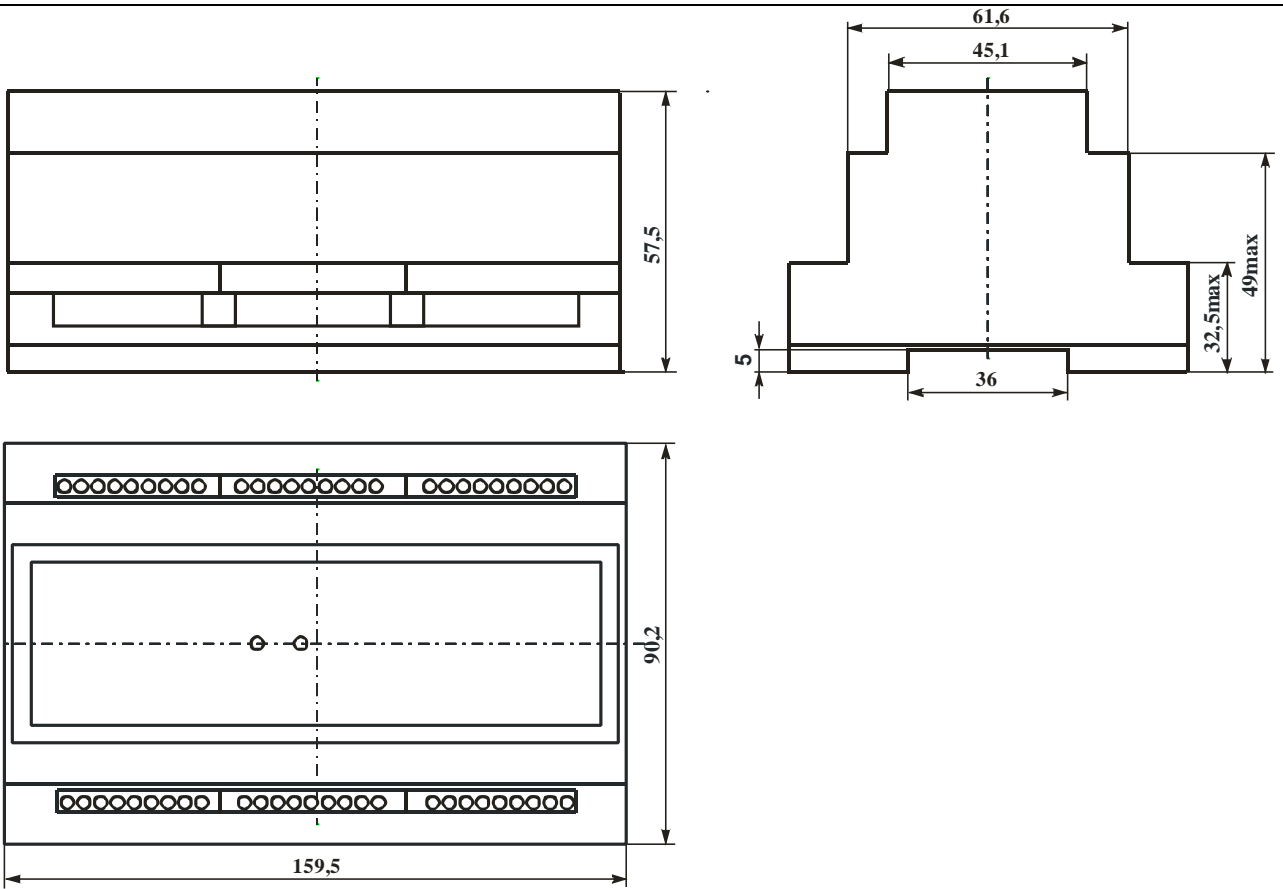


Fig.42 (Housing D9MG)

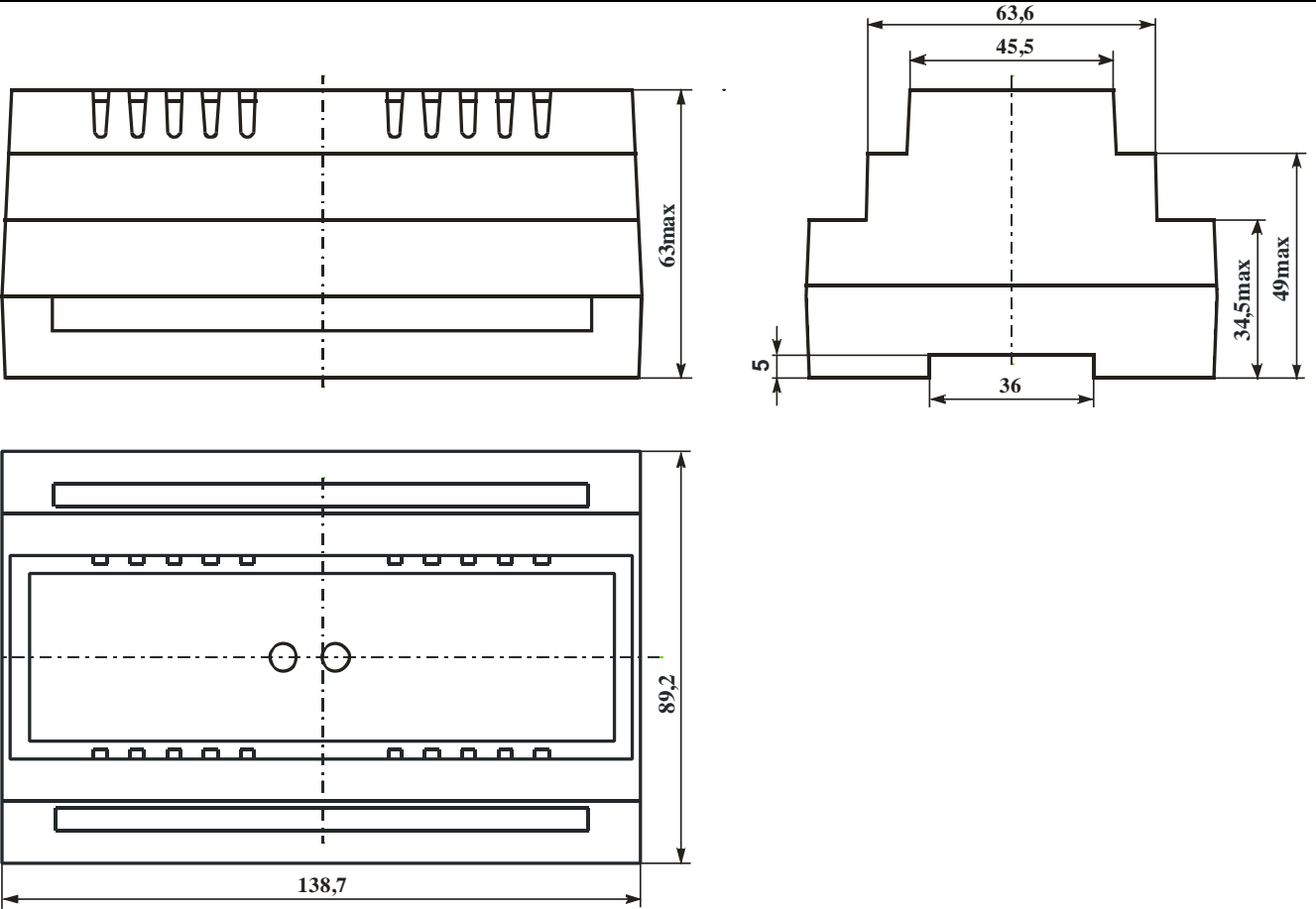


Fig.43 (Housing KMz104)

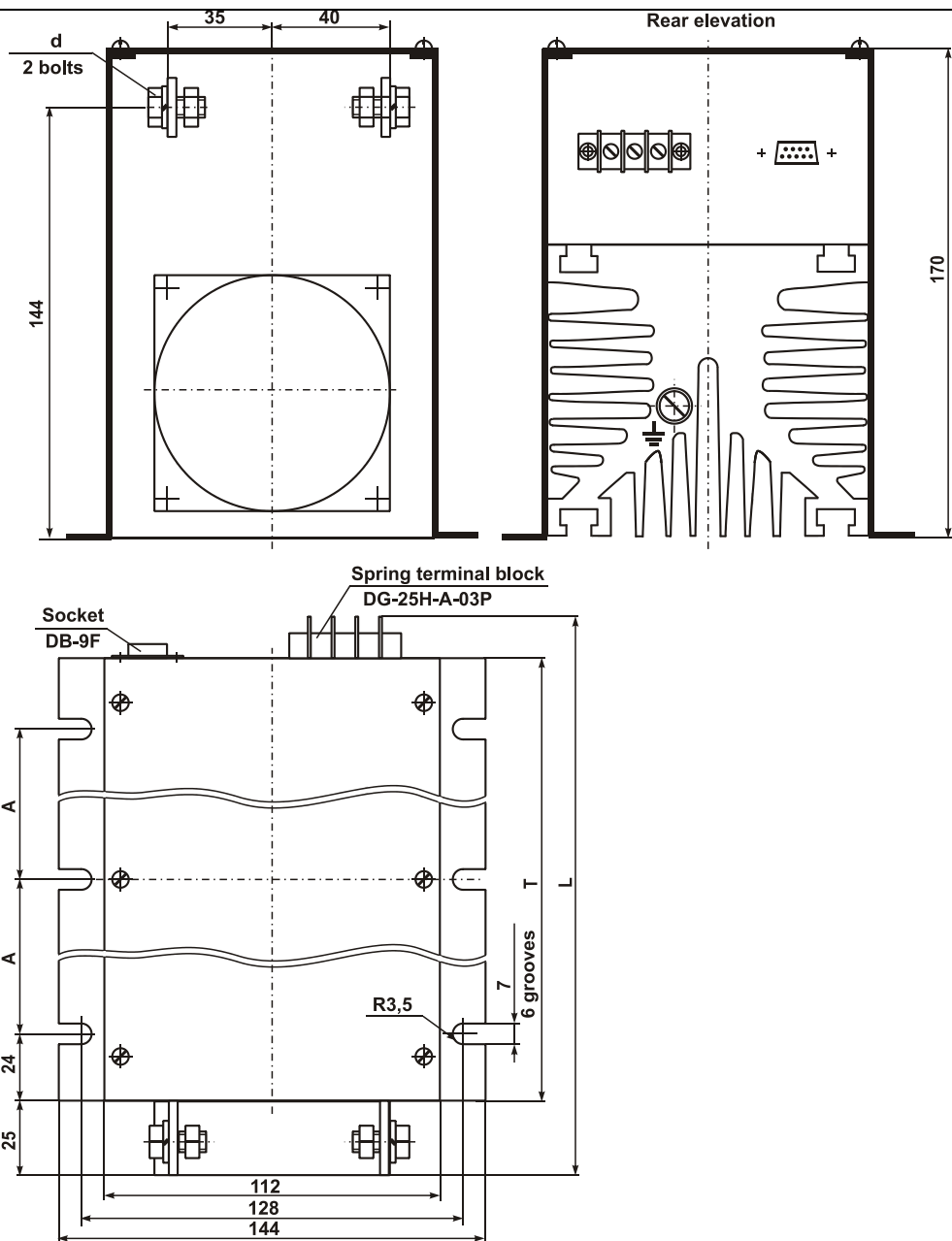
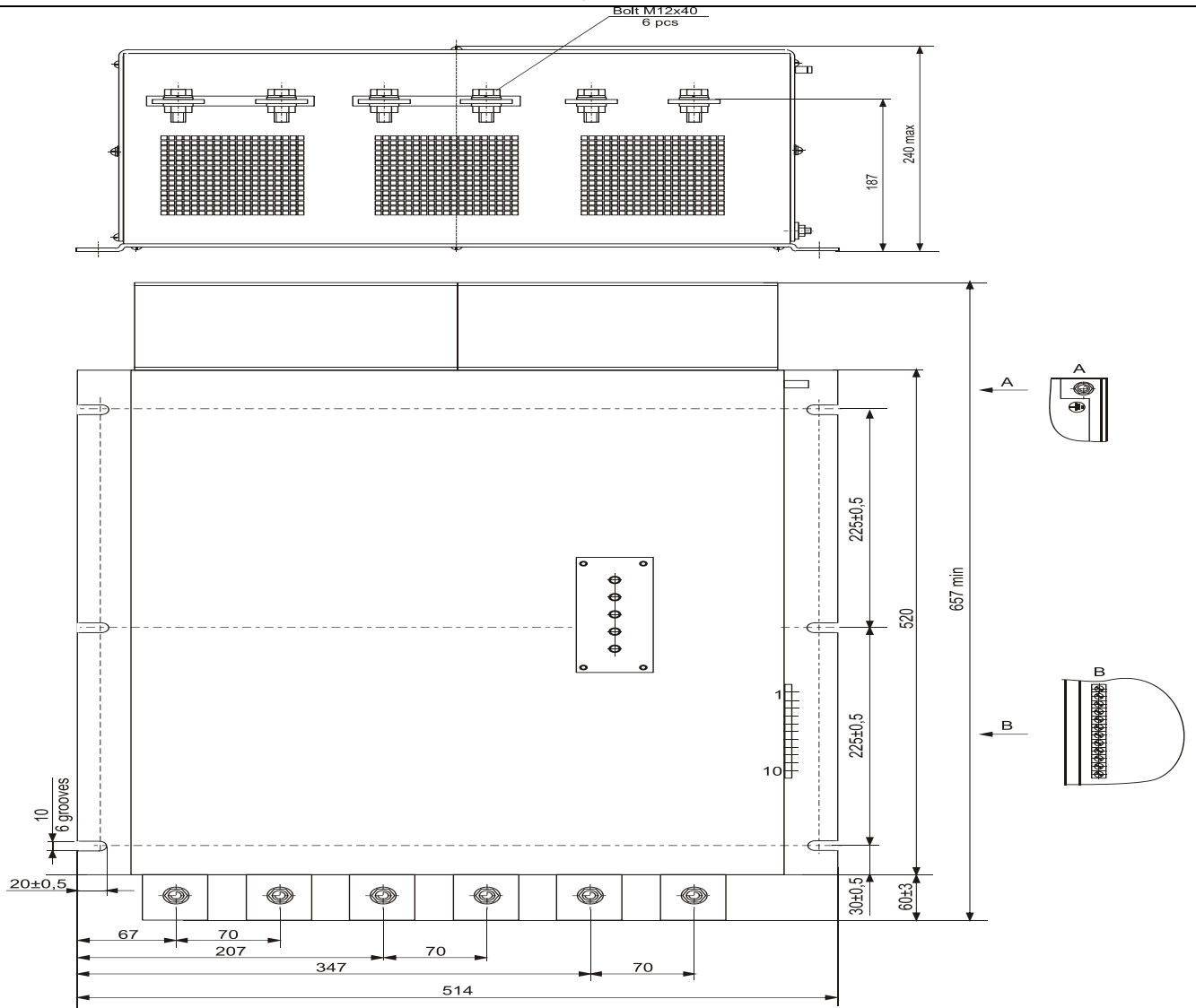


Fig.44 (Housing TPR1)



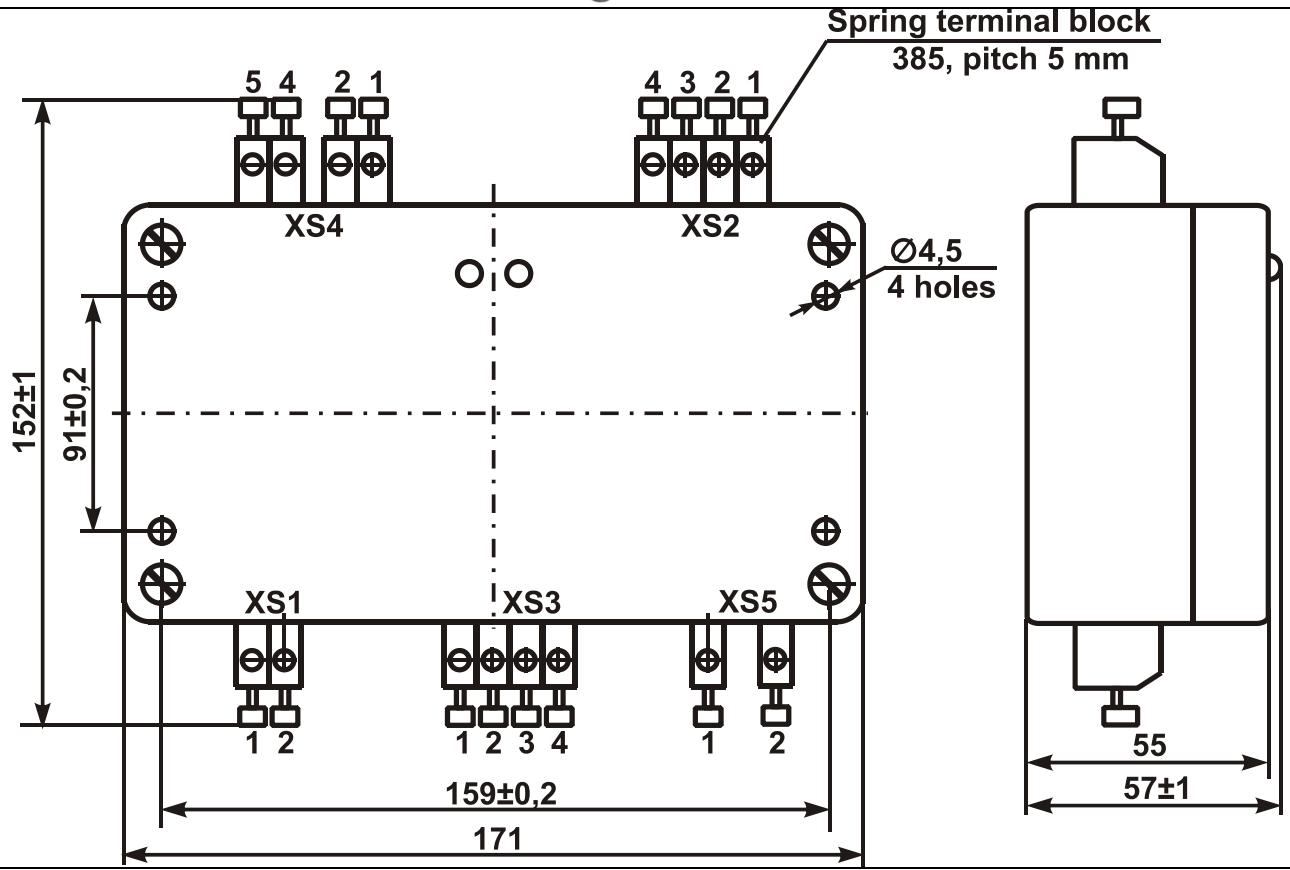


Fig.46 (Housing G214)

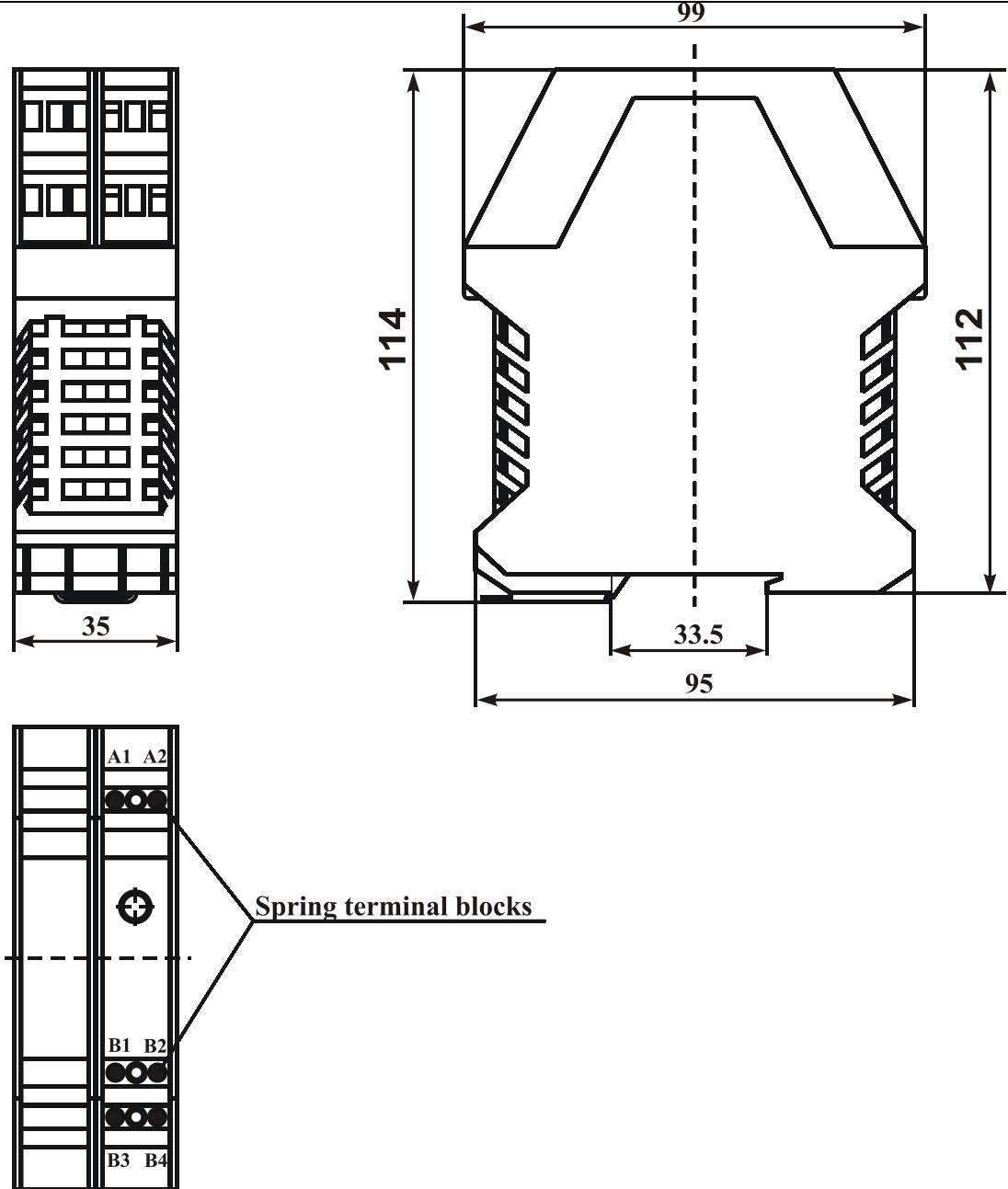


Fig.47 (Housing ME)

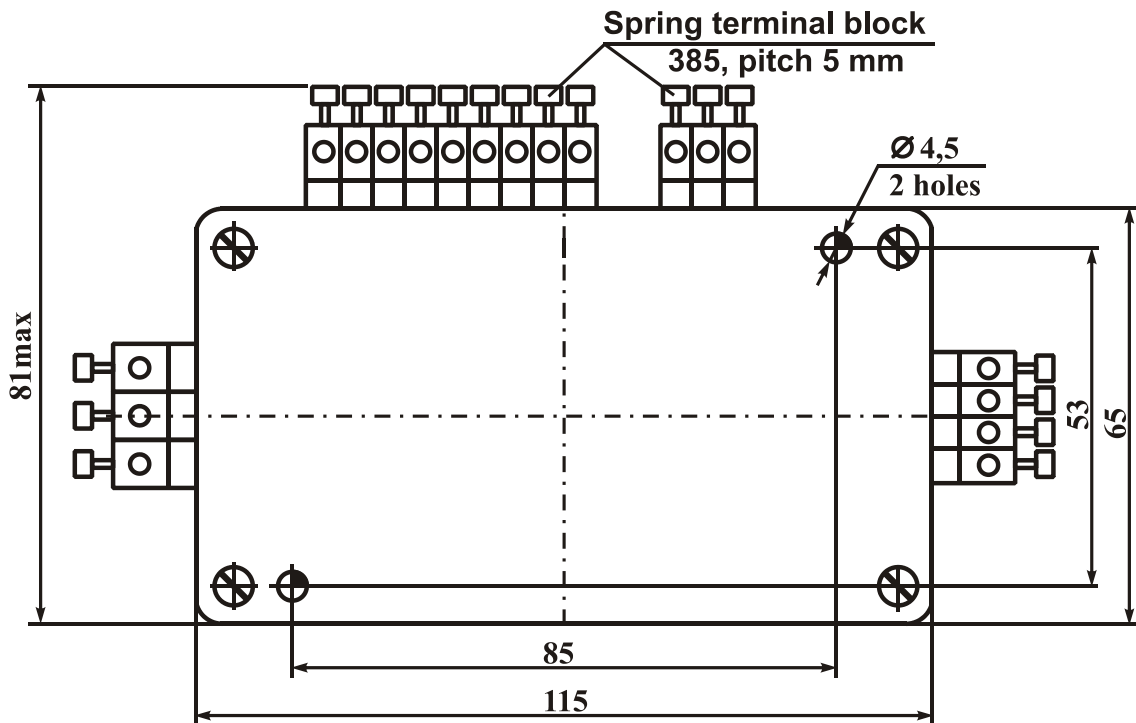
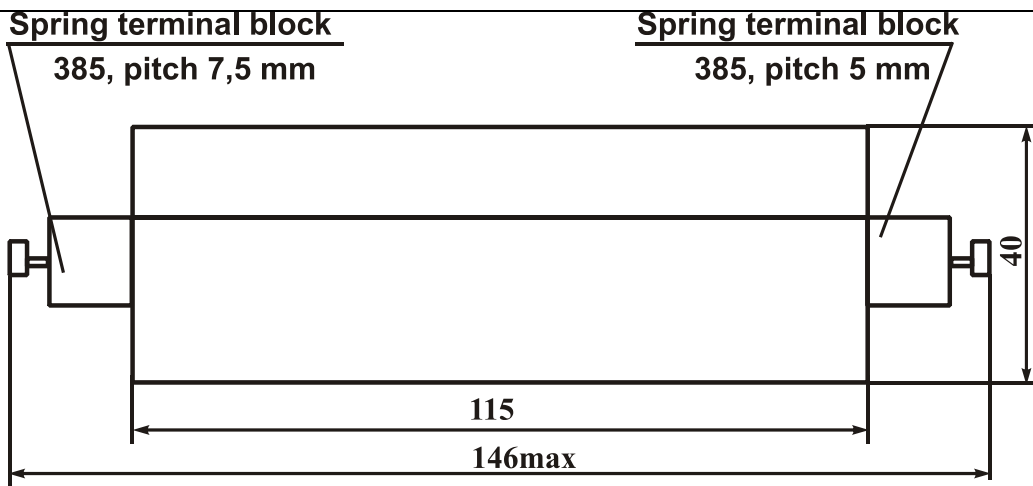
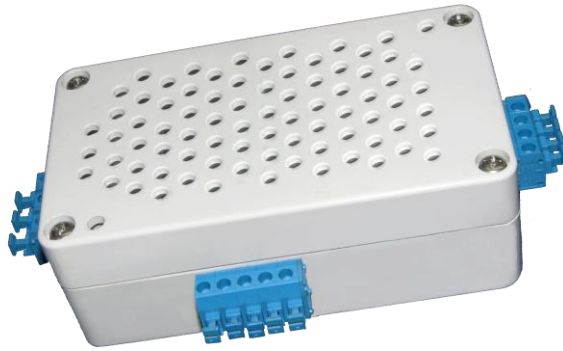
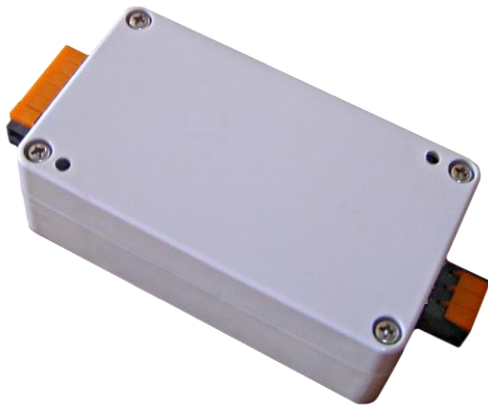
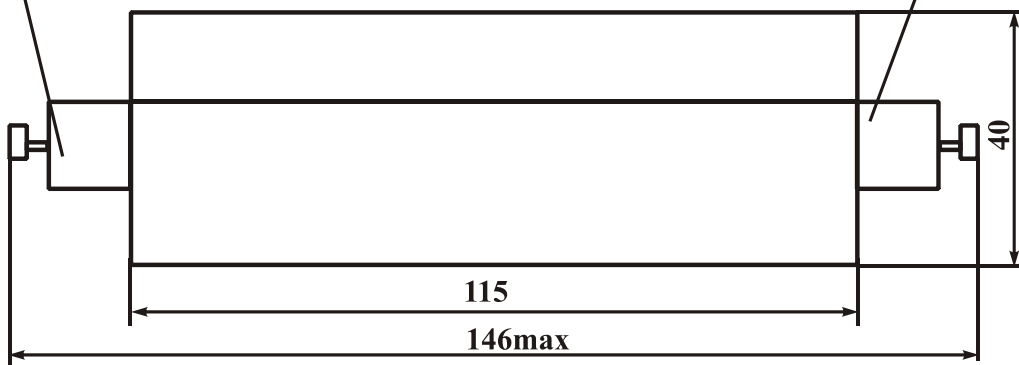


Fig.48 (Housing G203)



Spring terminal block
385, pitch 7,5 mm

Spring terminal block
385, pitch 5 mm



Spring terminal block
385, pitch 5 mm

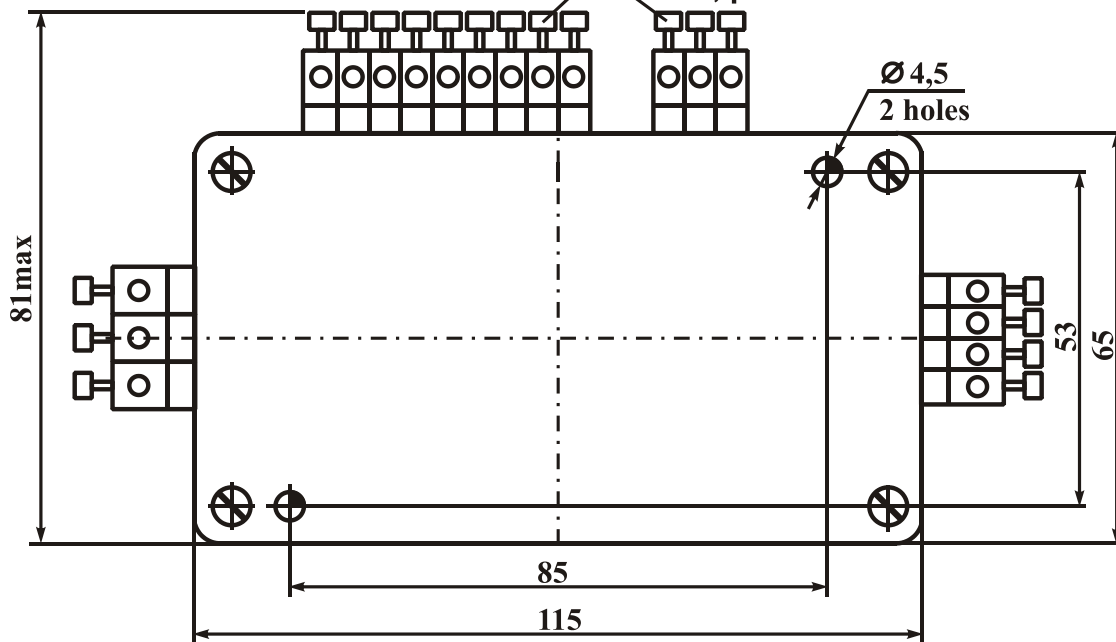


Fig.49 (Housing G203)